

MEGA^{LITE}

Opera Cycle N380



USER MANUAL

Table of Contents

Safety Information	2
Specifications	3
Main Power Connection	4
DMX-512 Connection	5
DMX Profile	6
Main Control Menu	7
Size and Weight	8
Rigging the Fixture	9
Cleaning & Maintenance	10
Parts List	11
Warranty	12

Check that the unit has not been damaged during transport



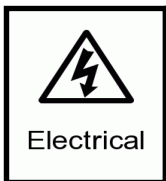
Read all cautions and warnings
prior to operation of this
equipment

Protection Against Fire



1. Maintain a minimum of 1 foot distance from any type of flame.
2. Replace fuse only with specified type and rating.
3. Do not install the unit too close to a heat source.
4. Make sure cables are properly secured.
5. Maximum surface operating temperature 140°.

Protection Against Electrical Fire



1. Disconnect power before servicing.
2. For connection to main power supply, proceed to page 4.
3. This unit must be earthed (electronically grounded).
4. This fixture must not be left on for long periods of time.

Protection Against Mechanical Hazards



1. Use safety chain when hanging unit.
2. Use quality clamps or bolts when positioning unit.
3. Do not open unit while it is on; risk of electrical shock.
4. Mirror surface may be hot. Do not touch.

Technical Information

Part Numbers

Fixture

Item # 4341—Obra Cyc N380

Mechanical Specifications

Signal Connectors:	Panel Mounted 5-pin XLR connectors in/out
Power Connectors:	Panel Mount Power Con type in/out connection (Nema 5-15 to Blue power male cable included)
Thermal:	Maximum ambient temperature 40° C Maximum surface temperature 60° C
Display:	Digital
Fastening System:	Accessory clamp fixture track mounts
Nominal Beam Angle:	50°
Vertical Barndoors:	Included

Electrical Specifications

LED Type:	120 single color LEDs
LED Watts:	3 Watts each
Color Type:	Deep Red, Red, Fire Red, Green, Aqua, Lime, Blue, Indigo, Amber
CCT:	8108K @ full
Ballast:	Electronic
Power Consumption:	Universal 100 - 240V 50/60 Hz
Watts:	312W
Current:	2.6 A
PF:	.99

Control & Programming

Protocol:	DMX 512
RDM:	Yes
DMX Channels:	4 Mode of Operation Mode 4 Channel: Red (Deep Red, Red, Fire Red), Green (Green, Aqua, Lime) Blue (Blue, Indigo) Amber Mode 9 Channel: Deep Red, Red, Fire Red, Green, Aqua, Lime, Blue, Indigo, Amber Mode 10 Channel: Dimmer, Deep Red, Red, Fire Red, Green, Aqua, Lime, Blue, Indigo, Amber Mode 14 Channel: Dimmer, Deep Red, Red, Fire Red, Green, Aqua, Lime, Blue, Indigo, Amber, Strobe, Macro, Macro Speed, Dimmer Speed
Operating Mode:	Stand alone 255 step dimmer setting via display Auto preprogram via display



Main Power Connection

Caution!

1. Do not connect fixture to a dimmer system.
2. This unit has Auto switching power supply, it will respond to 110V or 220V automatically.
3. This unit must be earthed (electronically grounded).
4. Replace fuse only with the specified type and rating.
5. Power Link 6 Units Max on 110V.

The occupation of the connection-cable is as follows:

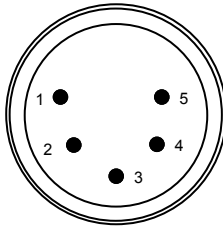
This fixture is equipped with an electronic power supply that will let the unit operate from 100V to 240V from 50Hz to 60Hz.

Cable (USA)	Cable (EU)	Pin	110V	220V
Black	Brown	Live	L	L
White	Light Blue	Neutral	N	L
Green	Yellow/Green	Ground		

DMX-512 Connection

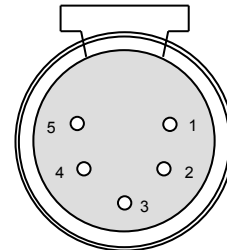
The fixture is equipped with 5 pin XLR cable mounted sockets for DMX input and output. The sockets are wired in parallel. Only use a shielded twisted pair cable designed for RS-485 and 5 pin XLR plugs and connectors in order to connect the controller with the fixture or the fixture with another.

DMX—Input



1. Shield
2. Signal (-)
3. Signal (+)
4. N/A
5. N/A

DMX—Output



Caution!

At the last fixture, the DMX signal needs to be terminated with a terminator. Solder a 120 Ohm resistor between the (-) and the (+) signal into a 3 or 5 pin XLR plug and plug it in to the last fixture on the signal run. Pre-manufactured terminator plugs are available for purchase from your MEGA-Lite dealer (P-DMXT).

Obra Cyc N380 4 Channel Mode

DMX Channel	Function	Description	Value	Init
1	LED Color	Red LED Intensity	0-255	255
2	LED Color	Green LED Intensity	0-255	255
3	LED Color	Blue LED Intensity	0-255	255
4	LED Color	Amber LED Intensity	0-255	255

Obra Cyc N380 9 Channel Mode

DMX Channel	Function	Description	Value	Init
1	LED Color	Dark Red LED Intensity	0-255	255
2	LED Color	Red LED Intensity	0-255	255
3	LED Color	Fire Red LED Intensity	0-255	255
4	LED Color	Green LED Intensity	0-255	255
5	LED Color	Aqua LED Intensity	0-255	255
6	LED Color	Lime Red LED Intensity	0-255	255
7	LED Color	Blue LED Intensity	0-255	255
8	LED Color	Indigo LED Intensity	0-255	255
9	LED Color	Amber LED Intensity	0-255	255

Obra Cyc N380 10 Channel Mode

DMX Channel	Function	Description	Value	Init
1	Dimmer	Dimmer	0-255	255
2	LED Color	Dark Red LED Intensity	0-255	255
3	LED Color	Red LED Intensity	0-255	255
4	LED Color	Fire Red LED Intensity	0-255	255
5	LED Color	Green LED Intensity	0-255	255
6	LED Color	Aqua LED Intensity	0-255	255
7	LED Color	Lime Red LED Intensity	0-255	255
8	LED Color	Blue LED Intensity	0-255	255
9	LED Color	Indigo LED Intensity	0-255	255
10	LED Color	Amber LED Intensity	0-255	255

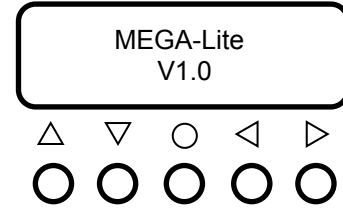
Obra Cyc N380 14 Channel Mode

DMX Channel	Function	Description	Value	Init
1	Dimmer	Dimmer	0-255	255
2	LED Color	Dark Red LED Intensity	0-255	255
3	LED Color	Red LED Intensity	0-255	255
4	LED Color	Fire Red LED Intensity	0-255	255
5	LED Color	Green LED Intensity	0-255	255
6	LED Color	Aqua LED Intensity	0-255	255
7	LED Color	Lime Red LED Intensity	0-255	255
8	LED Color	Blue LED Intensity	0-255	255
9	LED Color	Indigo LED Intensity	0-255	255
10	LED Color	Amber LED Intensity	0-255	255
11	Strobe	No Function	0-10	0
		Strobe (slow to fast)	11-115	
		Random (slow to fast)	116-255	
12	Macro	No Function	0	0
		Fade	1-75	
		Chase	76-150	
		Color	151-255	
13	Macro Speed	No Function	0-10	0
		Slow to Fast	11-255	
14	Dimmer Speed	No Function	1-50	0
		Dimmer Speed 1	51-100	
		Dimmer Speed 2	101-150	
		Dimmer Speed 3	151-200	
		Dimmer Speed 4	201-255	

Note: For Strobe function to work, Dimmer Speed needs to be engaged.

Main Control Menu

The control board on the fixture is your interface to access and control all the functions on the unit. Its digital display gives you a code view of the options and functions. The following will explain each function and its options. Press the **Up Down** arrows to navigate in the menu and the **O** to enter, **Left Right** arrows are used to make selection. Press **O** to confirm selection.



MENU:
DMX ADDR

DMX Address

Press **O** to select the DMX start channel by using the **Left or Right** arrows to select DMX Start Channel. Press **O** to confirm the setting. Confirm with your lighting controller for the DMX Start Channel.

MENU:
DIMMER CURVE

Dim Curve

Press **O** to select dim curve type. Use the **Left or Right** to select fixture dimmer setting. Press **O** to confirm the setting. (Note: Options are Off, 1, 2, 3, 4.)

MENU:
LOCAL CONTROL

Color Dimmer

This function allows you to dim up or down the LEDs . Press **O** use the **left/right** to select desired color to adjust settings. (Note: Once fixture is powered down and powered up, it will return to the last setting.)

LOCAL CONTROL D-Red-000	Deep Red	LOCAL CONTROL Cyan-000	Aqua	LOCAL CONTROL Amber-000	Amber
LOCAL CONTROL Red-000	Red	LOCAL CONTROL Lime-000	Lime		
LOCAL CONTROL O-Red-000	Fire Red	LOCAL CONTROL Blue-000	Blue		
LOCAL CONTROL Green-000	Green	LOCAL CONTROL R-Blue-000	Indigo		

MENU:
COLOR CALIBRATE

Color Calibration

COLOR CALIBRATE
D-Red: 255

This function will give the max output when used in DMX Mode. Press **O** each output color can be set by setting max out from 255 the highest to 25 the lowest use the **up/down** buttons to select. Press **O** to Confirm setting.

MENU: FACTORY RESET **Factory Reset**

To reset to the original factory installed setting, select yes. Select no to cancel.

MENU: LOCK/UNLOCK **LOCK AND UNLOCK**

LOCK/UNLOCK CODE: To lock or unlock fixture display, please enter code. The code can be received by calling MEGA-LITE service department.

MENU: INFO **Info**

INFO: CURRENT:0052 The amount of power current being used. **INFO: RUNTIME:0000H** The amount of hours the fixture has been operational. **INFO: FIRMWARE:17/3/1** Software version being used.

MENU: POWER MODE **POWER MODE**

POWER MODE: FULL Sets the fixture to maximum power use. **POWER MODE: ECONOMICAL** Will limit the fixture's power.

MENU: CHANNEL MODE **DMX Channel Mode**

This function allows you to select the mode in which you want to control the fixture. Press **O**, use the **Up/Down** to select desired DMX mode settings. Press **O** to confirm the settings.

4 CH	Red, Green, Blue, Amber
9 CH	Deep Red, Red, Fire Red, Green, Aqua, Lime, Blue, Indigo, Amber
10 CH	Dimmer, Deep Red, Red, Fire Red, Green, Aqua, Lime, Blue, Indigo, Amber
14 CH	Dimmer, Deep Red, Red, Fire Red, Green, Aqua, Lime, Blue, Indigo, Amber, Strobe, Macro, Macro Speed, Dimmer Speed

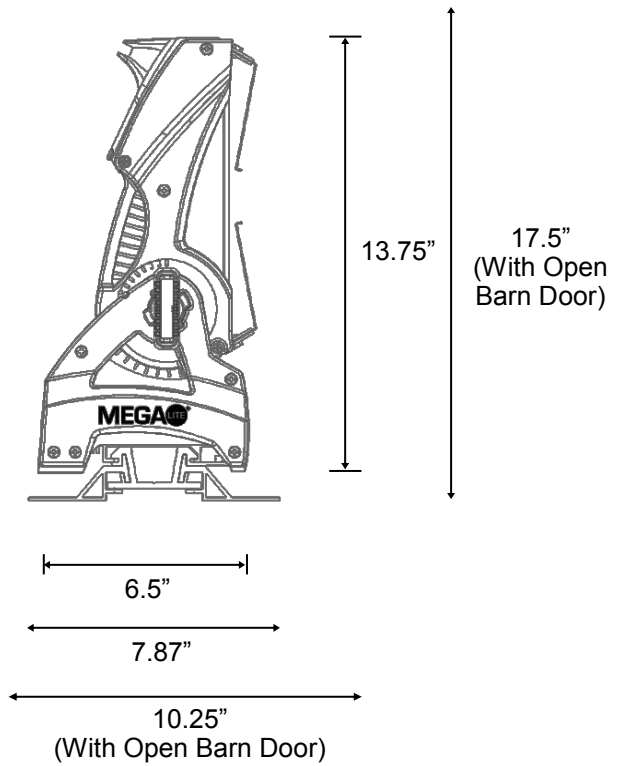
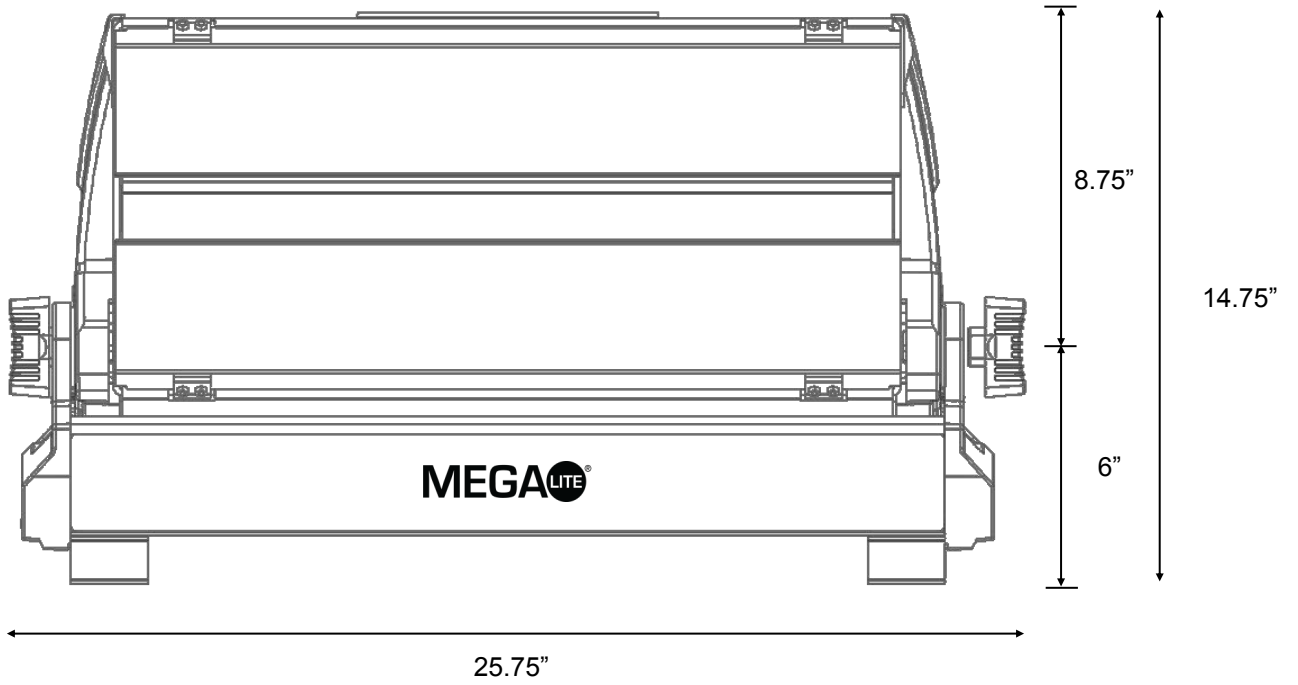
MENU: FAN MODE **Fan Mode**

FAN MODE: AUTO Fan will engage when needed. **FAN MODE: OFF** Fan will remain off and the LEDs intensity will adjust operating temperature. **FAN MODE: ON** Fan will remain on and LEDs will work at full intensity.

MENU: TEMPERATURE **Temperature**

Will display the fixture's temperature in Celsius and show you the maximum operating temperature.

Size and Weight



Size

25.75" x 7.87" x 14.75"

Packaged Size

28.5" x 9.5" x 17"

Weight

Net 27.5lb

Gross 30.5lb

Rigging the Fixture

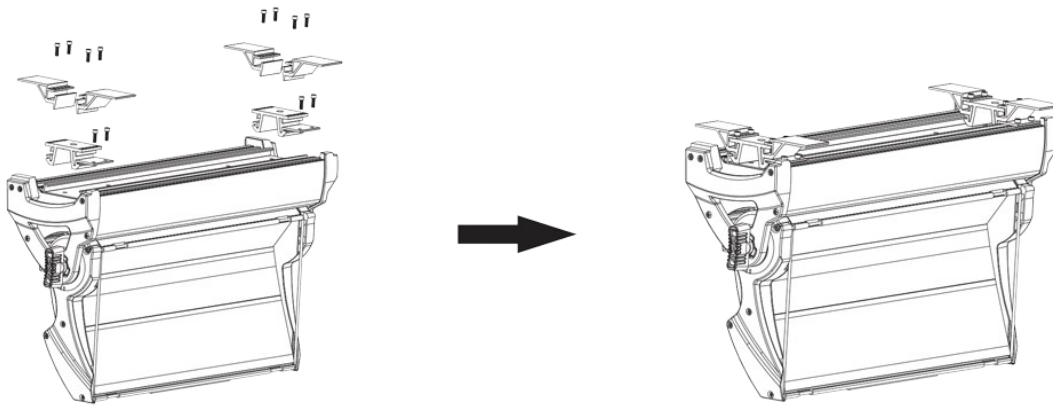
Caution!

1. Installations must be carried out by an authorized dealer or trained professional.
2. Unit may cause severe injuries. If you have doubts concerning safety, do not install.
3. Unit is to be 24 inches away from flammable materials (ex. decoration material).
4. Use high quality installation equipment to hang unit.

When rigging a unit, it is very important that you follow common safety procedures. Rigging requires extensive experience, including but not limited to, calculating working loads, material being used and periodic safety inspections. If you lack these qualifications, do not attempt the installation yourself. Instead use a professional structural rigger.

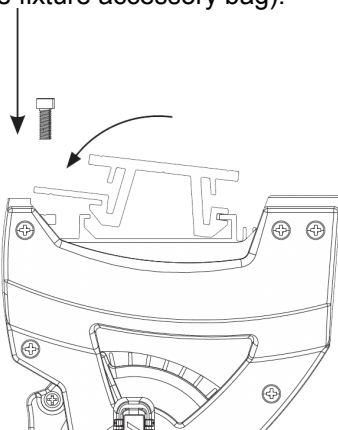
When rigging the unit, always have it secured with a secondary safety attachment. The installation location of the fixture must be built to hold 10 times the weight for one hour without any failure. Installation should be checked at least once a year by a skilled person.

Hardware Installation



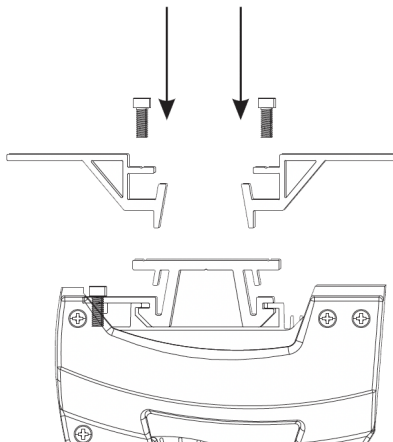
Step 1

If unit is to be hung, mounting clamp should be installed on the mount before installing. Secure the mount with 2 screws (included in the fixture accessory bag).



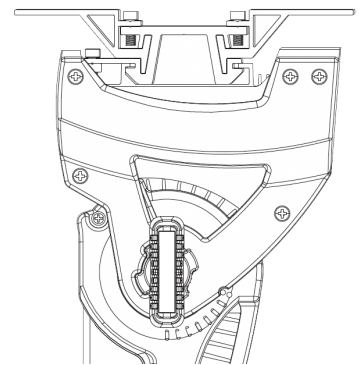
Step 2

If unit is going to be placed on the floor, attach the left and right floor mounts to the unit.



Step 3

Check for screws to be correctly tightened.



Cleaning and Maintenance

Installation Maintenance: The operator must ensure that the unit is operating safely. The installations and electronics must be checked by an expert every 2 years.

The following points have to be considered during the inspection:

- 1) All screws used for installing the device or part of the device have to be tightly connected and must not be corroded.
- 2) There must not be any deformations on the housing, fixation and installation spots (ceiling, suspension, trussing).
- 3) The electronic power supply cables must not show any damages, material fatigue (e.g. porous cables) or sediments. Further instructions depending on the installation spot and usage must be adhered to by a skilled installer and any safety problems must be fixed.

Note: There are no serviceable parts inside the device except for the LEDs. Maintenance and service operations are to be carried out by authorized dealers.

Replacing the fuse: When possible, only replace the fuse with the same type and rating.

Replacing the power cable: If the power cable of this device becomes damaged, it must be replaced by authorized dealers or trained professional only.

Should you have further questions, please contact your dealer.

Parts List

4341-LED-MOD	LED Module
4341-PCB-MAI	Main/Display PCB Card
4341-POW	Power Supply
4341-CON-SIG	Male & Female Signal Connection
4341-HOU-BAR-T	Top Barn Door
4341-HOU-BAR-B	Bottom Barn Door
4341-PCB-DRI	LED Driver
4341-PCB-DIS	Display
4341-DIF	Diffusion Cover
4341-HOU-MOU	Mounting Hardware
4341-HOU-HAN	Handle/Display Hardware
4340-HOU-KNO	Knob (each)
4340-PCB-DRI	LED Driver PCB

MEGA Systems, Inc. Warranty

MEGA SYSTEMS INC (“MSI”) hereby warrants to the original purchaser/owner (“Customer”), MSI products to be free of manufacturing defects in material and workmanship, for the warranty periods as defined below from the original purchase invoice date. This warranty applies exclusively to new MSI branded and/or distributed products listed below, purchased from an MSI AUTHORIZED dealer/ reseller. This warranty is not transferable and may or may not apply to products sold and/or forwarded outside the United States. Please contact MSI for applicable regional product warranty information.

The purchase of MSI product constitutes the Customer’s acceptance of all warranty terms and conditions as listed in this limited warranty statement. This warranty provides the Customer with legal rights, which may vary from state to state. Please contact MSI regarding warranty questions prior to purchasing.

Product / Series	Warranty Period	Coverage
Battery Powered LED	Six month battery, one year all other components	1, 2
Moving LED, Hazers	One year	2
Outdoor IP-Rated LED	Two years	3
House Light LED, Decorative LED, Compact LED, iCandy LED, Theatrical LED, Strobe Wash LED, Follow Spot LED, Production & House of Worship Control, Architectural Control, Theatrical Control, Dance Venue & Mobile DJ Control, Direct View LED Displays, and MV	Three years	4

1. Battery: 183 days/six months 2. Parts and Labor: 365 days/one year 3. Parts and Labor: 730 days/two years 4. Parts and Labor: 1095 days/three years

This limited warranty excludes any defects caused by, resulting from or relating to the following:

- Normal wear and tear of lamps, color media, brushes, contact rings, lamp sockets, belts and other parts prone to wear and tear.
- Misuse, abuse, improper handling, accident, alteration or attempts to repair by or on behalf of the owner or any person not authorized by MSI.
- Damage to the product resulting from acts of God, including, but not limited to, earthquakes, hurricanes, tornados, lightning and other natural disasters, fire, explosion, flood, riots, civil disorder or any other cause beyond the reasonable control of MSI.
- Exposure to harsh or excessively corrosive environmental conditions (whether indoors or outdoors), including, but not limited to, extreme temperatures, humidity, atmospheric conditions (including salinity or pressure), radiation (UV, infrared or nuclear), shock and conditions which exceed the product's Ingress Protection (“IP”) rating.
- Use of the product in a manner which exceeds the applicable product specification, including, but not limited to, exposure to excessive, insufficient or other voltage conditions.
- Installation or use of the product not in accordance with the technical documentation, MSI guidelines (as may be posted on its website at www.megasystemsinc.com from time to time or otherwise designated by MSI or its brands) or applicable building and electrical codes, regulations and standards.
- Failure to maintain the product in accordance with the technical documentation.
- Natural degradation and color shift of the LED source over the course of normal product use.
- Slight deviations in the specified values of intensity and color that do not affect the functionality of the product.
- Use of the product not for its intended purpose.

All warranty claims are evaluated under the terms of this limited warranty. If a product falls within the warranty period and if, upon examination by MSI it is found to have failed for a covered cause, MSI will, at its sole discretion, repair or replace the defective part or product or reimburse the purchaser a pro-rated portion of the purchase price based on the percentage of the warranty period still remaining as of the date that the returned product was received by MSI. Should a replacement part or product be discontinued or unavailable, MSI reserves the right, in its sole and absolute discretion, to substitute a comparable replacement part or product for the defective part or product. MSI warranty obligation hereunder is limited solely to the repair or replacement of or reimbursement for the particular parts or products determined by MSI to have failed for a covered cause within the warranty period. In no event shall MSI be responsible to replace or reimburse purchaser for any products or portions of a system that MSI determines has not failed for a covered cause within the warranty period, even if such other products or portions of a system are used together with products being repaired or replaced by MSI under this warranty and the repaired product differs in brightness, colors or any other attribute after the repair.

Costs of removal, shipping to MSI or its authorized representative and reinstallation are solely the responsibility of the purchaser. If MSI determines that the product is covered by this limited warranty, it will only pay for parts and labor as indicated by product type. If MSI determines that the product is not covered by this limited warranty, the purchaser will have the option of paying for the repair (if the product can be repaired) and the purchaser shall be responsible for the cost of shipping the repaired product back to the purchaser. MSI reserves the right, in its sole and absolute discretion, to decline any repair.

IN NO EVENT SHALL MEGA SYSTEMS, INC. BE LIABLE FOR ANY INCIDENTAL, CONSEQUENTIAL, SPECIAL, INDIRECT OR PUNITIVE LOSS OR DAMAGE OF ANY KIND, INCLUDING, BUT NOT LIMITED TO, LOSS OF PROFITS OR REVENUES, LOSS OF USE OF THE PRODUCT OR ANY OTHER GOODS OR ASSOCIATED EQUIPMENT, DAMAGE TO ANY ASSOCIATED EQUIPMENT, COST OF CAPITAL, COST OF SUBSTITUTE PRODUCTS, FACILITIES OR SERVICES, DOWN TIME COST, INSTALLATION OR LABOR COSTS, OR CLAIMS OF THE PURCHASER’S CUSTOMERS, WHETHER BASED ON WARRANTY, CONTRACT OR NEGLIGENCE, ARISING IN CONNECTION WITH THE SALE, USE OR REPAIR OF THE PRODUCT. MEGA SYSTEMS INC’S MAXIMUM LIABILITY SHALL NOT, IN ANY CASE, EXCEED THE PURCHASE PRICE OF THE PRODUCT THAT GIVES RISE TO THE CLAIM.

EXCEPT FOR THE LIMITED WARRANTY SET FORTH HEREIN, ALL PRODUCTS SOLD BY MEGA SYSTEMS, INC. ARE SOLD “AS IS” WITHOUT ANY WARRANTY, EXPRESS OR IMPLIED, STATUTORY OR OTHERWISE, INCLUDING, BUT NOT LIMITED TO, IMPLIED WARRANTIES OF MERCHANTABILITY AND FITNESS FOR A PARTICULAR PURPOSE, ALL OF WHICH ARE EXPRESSLY AND SPECIFICALLY DISCLAIMED BY MEGA SYSTEMS, INC.

Customer Support

MEGA-Lite has a customer support line to provide set up help and to answer any question should you encounter a problem. Please visit our website for any other related technical documents. For service related issues, please contact the MEGA-Lite service department.

Monday—Friday 9am to 6pm CST

Voice: 210-684-2600

E-mail: service@mega.lighting

Manual Version

Please visit www.mega.lighting for the most up to date manual version.

Document Version	Date	Fixture Software	Notes
1.1	10/04/2021	V1.1	



MEGA-Lite
18668 Highway 16N
Helotes, Texas 78023
Ph 210-684-2600 Fax 210-855-6279
www.mega.lighting / info@mega.lighting