

MEGA^{LITE}[®]

FOLLOWBOT 1000W LED



Product Description:

Unleash the Followbot 1000W LED, an empowering follow spot LED fixture that elevates your lighting game. With its versatile color wheel and refined CTO wheel, it offers a spectrum of vibrant spotlights and precise color temperature control. Complete with a built-in iris, seamless dimming, and a diffusion filter, it's the ultimate tool for precision lighting in any space.

POWERFUL LED OUTPUT

With its powerful 1000W LED technology, this fixture empowers you to illuminate any stage or event with unmatched precision and brilliance.

COMPACT BUILD

This fixture is designed with a compact build, weighing in at just 75 lbs, this lightweight powerhouse is your ticket to a new level of lighting mastery.

DMX CONTROL

The convenient DMX rail-mounted controller allows for effortless management of intensity, color, zoom, and strobe control via a DMX console. Elevate your lighting with seamless DMX control capabilities.

FUNCTIONS AS GOBO PROJECTOR

This unit features a removable gobo slot, granting you the power to utilize the Followbot 1000 as a long-throw gobo.

Mechanical Specifications

IP Rating:	20
Housing:	Extruded Aluminum, Plastic Bezel
Fastening System:	Tilt Yoke with Follow Spot Stand
Power Connection:	Seetronics SAC3MPA Input (Nema 5-15 to SAC3FCA, Cable Included)
Zoom:	3° to 6°
Focus:	Electronic Focus
Iris:	Electronic Iris
Strobe:	Strobe Control (only via DMX)
Color Wheel:	Seven (7) Colors
CTO:	Three (3) Filters Open: 8162K CTO 1: 6386K CTO 2: 5280K CTO 3: 3351K
Diffusion:	One (1) Diffusion Filter
Static Gobo:	One (1) Gobo Slot (Non-Rotational)
Gobo Size:	39.5mm
Gobo Image Size:	23.5mm
Gobo Max Thickness:	3mm

Electrical Specifications

Light Source:	One (1) 1000W LED
Power Supply:	Electronic 100-240V AC 50/60Hz
Power Consumption:	1109 Watts / 10.6 Amps @110
Power Factor:	0.98

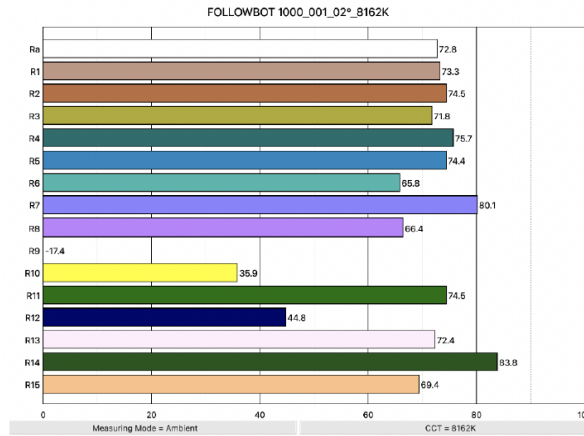
Control System

Operation Method:	Mounted Scene Recorder & DMX Controlled via XLR Input
Display:	LCD
DMX Connection:	5-Pin XLR In & Out
Channel Mode:	8CH: Dimmer, Strobe, Iris, Color, CTO, Zoom, Focus, Diffusion

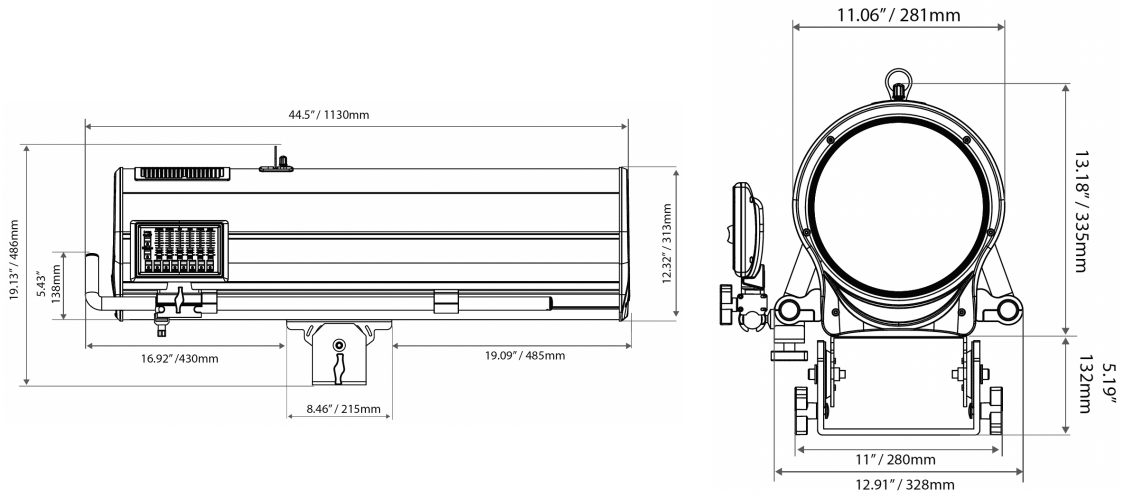
Photometrics

CRI:	73
Lumens @ Full Output (Narrow):	29562 lm
Efficacy:	27
Lumens @ Full Output (Wide):	46819 lm
Efficacy:	42
Nominal Beam Angle:	6°

Color Rendering



Size and Weight



Fixture Size & Weight:
 Packed Size & Weight:

44.5" x 12.91" x 19.13" & 75lbs
 49.5" x 18.5" x 23" & 93lbs

Included Items

Followbot 1000:	7049
Black FS Stand:	P-STAND-2
Hand Rail Controller:	7049-CON
Gobo Color Holder:	7049-GOB

Accessories:

Road Case:	CAS-7049-1
------------	------------

Customer Service

MEGA-Lite has a customer support line to provide set-up help and answer any questions should you encounter a problem. Please visit our website for any other related technical documents. For service-related issues, please contact our service department at **service@mega.lighting**.

Operating Hours:	Monday - Friday 9AM - 6PM CST
Phone:	(210) 684-2600
Email:	Sales@mega.lighting



18668 Highway 16N
Helotes, TX 78023
Phone (210)684-2600 / Fax (210)855-6279
www.mega.lighting / info@mega.lighting