



# ***N-E PIXSTRIP*** H216



## **USER MANUAL**

### **Table of Contents**

Safety Information	2
What's Included	2
Specifications	3
Main Power Connection	4
DMX-512 Connection	4
Size and Weight	5
Main Control Menu	6
Parts List	7
DMX Profile	8
Rigging the Fixture	11
Cleaning & Maintenance	11
Warranty	12
Customer Support	13

Check that the unit has not been damaged during transport



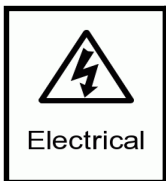
Read all cautions and warnings  
prior to operation of this  
equipment

#### Protection Against Fire



1. Maintain a minimum of 2 foot distance from any type of flame.
2. For indoor use only do not expose unit to rain or moisture.
3. Replace fuse only with the specified type and rating.
4. Do not install the unit too close to a heat source.
5. Make sure cables are properly secured
6. Maximum surface operating temperature 120°F.

#### Protection Against Electrical Fire



1. Disconnect power before servicing.
2. For connection to main power supply proceed to page 4.
3. This unit must be earthed. (electronically grounded)
4. This fixture must not be left on for long periods of time.
5. Prolonged exposure to UV light will discolor and damage the diffusion filter.

#### Protection Against Mechanical Hazards



1. Use secondary safety chain when hanging unit.
2. Use quality clamps or bolts when positioning unit
3. Do not open unit while it is on, risk of electrical shock.

## What is Included

1pc N-E Pixstrip H216 Fixture  
1pc Power Conn Type to Nema 5-15 Cable  
1pc 10M Eye Bolt for Safety Connection  
1pc Diffusion Filter with Mounting Thumb Screws  
1pc User Manual

# Specifications

## Part Numbers

---

### Fixture

**4055-N-E Pixstrip H216**

### Road Case

**CAS-4055-4 Unit Road Case**

## Specifications

---

<b>LED:</b>	Qty 18 12Watt LED
<b>LED Color:</b>	Red, Green, Blue, White, Amber, UV
<b>Lumen Output:</b>	5490lm All Emitters
<b>DMX Connectors:</b>	Panel Mounted 3 & 5-pin XLR connectors in/out
<b>Power Connections:</b>	Panel Mounted Seetronic Power in/out connection (Nema 5-15 Male to Seetronic power Female cable included)
<b>Lens Angle:</b>	27°
<b>Diffusion Angle:</b>	105°
<b>Power Input:</b>	90 - 264V 50/60 Hz
<b>Power Consumption:</b>	<b>Watts:</b> 126W <b>Amps:</b> 1.5A @ 110V
<b>Pixel Control:</b>	18 Pixel Control
<b>Thermal:</b>	Maximum ambient temperature 98°f Maximum surface temperature 120°f Thermal Shut Off Protection
<b>Display:</b>	LED Display

## Control & Programming

---

<b>Protocol:</b>	DMX 512
<b>RDM:</b>	No
<b>DMX Channels:</b>	3 Mode of Operation <b>Mode 6 CH:</b> Red, Green, Blue, White, Amber <b>Mode 17 CH:</b> Dimmer, Strobe, R,G,B,W,A,UV, Macro, Macro Speed, Back-ground Red, Back-ground Green, Back-ground Blue, Back-ground White, Back-ground Amber, Back Ground UV, Macro Direction <b>Mode 108 CH:</b> 18 X R,G,B,W,A,UV
<b>Operating Mode:</b>	Stand alone 255 step dimmer setting via display Auto preprogram via display



## Main Power Connection

### Caution!

1. Do not connect fixture to a dimmer system.
2. This unit has Auto switching power supply. It will respond to 110V or 240V automatically
3. This unit must be earthed. (electronically grounded)
4. Power Link 10 units max at 110V and 20 units at 220V

The occupation of the connection-cable is as follows:

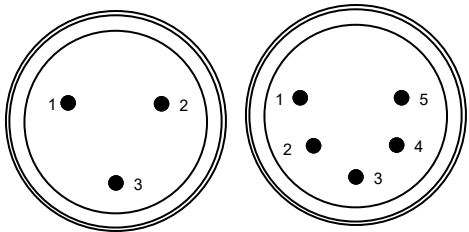
This fixture is equipped with an electronic power supply that will let the unit operate from 90V to 264V from 50Hz to 60Hz

Cable (USA)	Cable (EU)	Pin	110V	220V
Black	Brown	Live	L	L
White	Light Blue	Neutral	N	L
Green	Yellow/Green	Ground		

## DMX-512 Connection

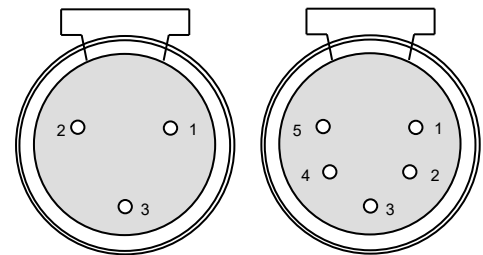
The fixture is equipped with 3 & 5 pin XLR cable mounted sockets for DMX input and output. The sockets are wired in parallel. Only use a shielded twisted pair cable designed for RS-485 and 3 or 5 pin XLR plugs and connectors in order to connect the controller with the fixture or the fixture with another.

### DMX—Input



### DMX—Output

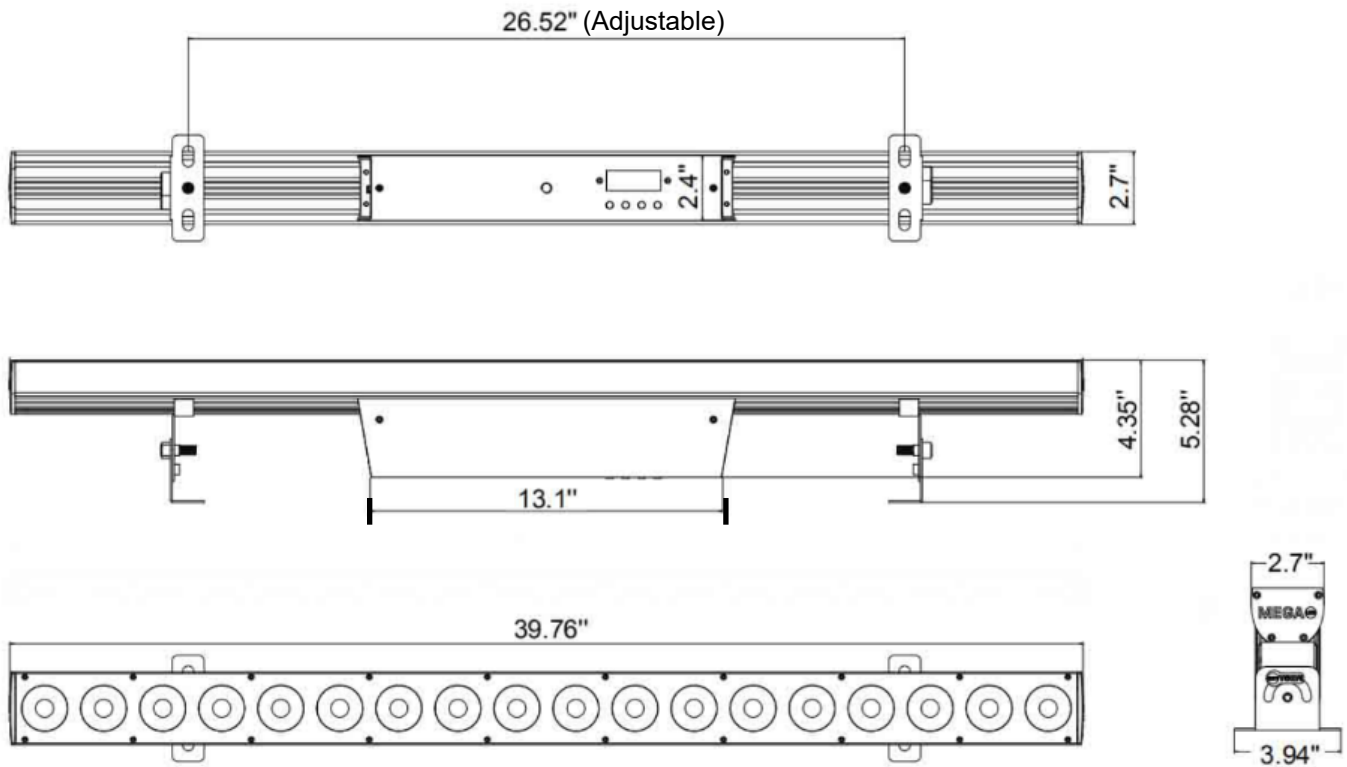
1. Shield
2. Signal (-)
3. Signal (+)
4. N/A
5. N/A



### Caution!

At the last fixture the DMX signal needs to be terminated with a terminator. Solder a 120 Ohm resistor between the (-) and the (+) signal into a 5 pin XLR plug and plug it in to the last fixture on the signal run. Pre-manufactured terminator plugs are available for purchase from your Mega-Lite dealer (P-DMXT).

# Size and Weight



Size	39.76" X 3.94" X 5.28"
Weight	10lb
Packaged	41" X 5.5" X 7" 11.5lb

# Main Control Menu

The control board on the fixture is your interface to access and control all the functions on the unit. Its digital display gives you a code view of the options and functions. The following will explain each function and its options.

## CONTROL BOARD



● ● ● ●  
Menu Up Down Enter

DMX Ad- <b>Addr</b> 1-512	Ch Mode <b>CHnd</b> 6-Ch 17-Ch 108-Ch	Control Mode <b>Node</b> Master DMX	Sound <b>SoUR</b> So 0-29 Se 0-99	Auto <b>Auto</b> Au 0-29 Sp 1-9	Preset Color <b>Color</b> 1-64	Manual Color <b>Manu</b> Red 0-255 Green 0-255 Blue 0-255 White 0-255 Amber 0-255 UV 0-255	Display Invert <b>di SP</b>	Temp <b>t 38</b>	Software Version <b>ver</b>
---------------------------------	---	--	--	--	--------------------------------------	---	--------------------------------	---------------------	--------------------------------

### **Addr** DMX Address

Press **Enter** to select the DMX start channel use the **up/down** keys, display will be flashing once you have selected the desired start channel Press **Enter** to confirm display will stop flashing.

### **CHnd** DMX Mode

This function allows you to select the mode in which you want to control the fixture. Press **Enter** use the **up/down** keys to select desired DMX mode settings. Press **Enter** to confirm the settings.

6 CH	Red, Green, Blue, White, Amber, UV
17 CH	Dimmer, Strobe, R,G,B,W,A,UV, Macro, Macro Speed, Back Ground Red, Back Ground Green, Back Ground Blue, Back Ground White, Back Ground Amber, Back Ground UV, Macro Direction
108 CH	Red, Green, Blue, White, Amber, UV X18

### **Node** Mode

Master or DMX Mode.

### **SoUR** Sound Mode

This function allows the fixture to snap from color to color via it's internal microphone. Press **Enter** to confirm the settings.

## AUTO Auto Mode

Select from 0-29 and speed 0-9 . Press **Enter** to confirm the settings.

## COLOR Color

Select from 64 preset colors . Press **Enter** to confirm the settings.

## MANU Manual

Manually adjust variable light output from the 6 color options . Press **Enter** to confirm the settings.

## DISP Display

Invert Display. Press **Enter** to confirm the settings.

## TEMP Temperature

Fixture Temperature Unit will reduce brightness once to keep temperature under 140F. Press **Enter** to confirm the settings.

## VER Ver

Software version. Press **Enter** to confirm the settings.

## Parts List

Part #	Description
4055-PCB-XLR-IN	3&5 PIN XLR INPUT PCB
4055-PCB-XLR-OUT	3&5 PIN XLR OUTPUT PCB
4055-PCB-MAI	DISPLAY & MAIN PCB
4055-POW	POWER SUPPLY
4055-LEN	LENS
4055-LED	6 COLOR LED
4055-LED-MOD	ENTIRE PCB WITH LED
4055-PCB-MOD	DRIVER PCB WITHOUT LED
4055-HOU-MOU	SLIDING MOUNTS
4055-HOU-COV	REAR HOUSING
4055-DIF	DIFFUSION LENS
4055-DIF-SCR	DIFFUSION SCREWS

## DMX Profile

### 6 Ch Mode

DMX Channel	Function	Description	Value
1	LED Color	Red LED Intensity	000-255
2	LED Color	Green LED Intensity	000-255
3	LED Color	Blue LED Intensity	000-255
4	LED Color	White LED Intensity	000-255
5	LED Color	Amber LED Intensity	000-255
6	LED Color	UV LED Intensity	000-255

### 17 Ch Mode

DMX Channel	Function	Description	Value
1	Dimmer	Dimmer (off to full)	000-255
2	Strobe	No Function	000-000
		Strobe (slow to fast)	001-63
		Pulse Strobe (slow to fast)	64-127
		Random Strobe Entire Bar (slow to fast)	128-190
		Random Strobe Each LED (slow to fast)	191-255
3	LED Color	Red LED Intensity	000-255
4	LED Color	Green LED Intensity	000-255
5	LED Color	Blue LED Intensity	000-255
6	LED Color	White LED Intensity	000-255
7	LED Color	Amber LED Intensity	000-255
8	LED Color	UV LED Intensity	000-255
9	Macro	No Function	000-007
		Color chase 1 to 29	008-255
10	Macro Speed	000- 255 Color chase speed	000-255
11	Background Red	Background Red 000-255 0%-100%	000-255
12	Background Greed	Background Greed 000-255 0%-100%	000-255
13	Background Blue	Background Blue 000-255 0%-100%	000-255
14	Background White	Background White 000-255 0%-100%	000-255
15	Background Amber	Background Amber 000-255 0%-100%	000-255
16	Background UV	Background UV 000-255 0%-100%	000-255
17	Macro Direction	L-R	000-128
		R-L	129-255



# 108 Ch Mode

DMX Channel	Function	Description	Value
1	LED Color	1 Red LED Intensity	000-255
2	LED Color	1 Green LED Intensity	000-255
3	LED Color	1 Blue LED Intensity	000-255
4	LED Color	1 White LED Intensity	000-255
5	LED Color	1 Amber LED Intensity	000-255
6	LED Color	1 UV LED Intensity	000-255
7	LED Color	2 Red LED Intensity	000-255
8	LED Color	2 Green LED Intensity	000-255
9	LED Color	2 Blue LED Intensity	000-255
10	LED Color	2 White LED Intensity	000-255
11	LED Color	2 Amber LED Intensity	000-255
12	LED Color	2 UV LED Intensity	000-255
13	LED Color	3 Red LED Intensity	000-255
14	LED Color	3 Green LED Intensity	000-255
15	LED Color	3 Blue LED Intensity	000-255
16	LED Color	3 White LED Intensity	000-255
17	LED Color	3 Amber LED Intensity	000-255
18	LED Color	3 UV LED Intensity	000-255
19	LED Color	4 Red LED Intensity	000-255
20	LED Color	4 Green LED Intensity	000-255
21	LED Color	4 Blue LED Intensity	000-255
22	LED Color	4 White LED Intensity	000-255
23	LED Color	4 Amber LED Intensity	000-255
24	LED Color	4 UV LED Intensity	000-255
25	LED Color	5 Red LED Intensity	000-255
26	LED Color	5 Green LED Intensity	000-255
27	LED Color	5 Blue LED Intensity	000-255
28	LED Color	5 White LED Intensity	000-255
29	LED Color	5 Amber LED Intensity	000-255
30	LED Color	5 UV LED Intensity	000-255
31	LED Color	6 Red LED Intensity	000-255
32	LED Color	6 Green LED Intensity	000-255
33	LED Color	6 Blue LED Intensity	000-255
34	LED Color	6 White LED Intensity	000-255
35	LED Color	6 Amber LED Intensity	000-255
36	LED Color	6 UV LED Intensity	000-255
37	LED Color	7 Red LED Intensity	000-255
38	LED Color	7 Green LED Intensity	000-255
39	LED Color	7 Blue LED Intensity	000-255
40	LED Color	7 White LED Intensity	000-255
41	LED Color	7 Amber LED Intensity	000-255
42	LED Color	7 UV LED Intensity	000-255
43	LED Color	8 Red LED Intensity	000-255
44	LED Color	8 Green LED Intensity	000-255
45	LED Color	8 Blue LED Intensity	000-255
46	LED Color	8 White LED Intensity	000-255
47	LED Color	8 Amber LED Intensity	000-255
48	LED Color	8 UV LED Intensity	000-255
49	LED Color	9 Red LED Intensity	000-255
50	LED Color	9 Green LED Intensity	000-255
51	LED Color	9 Blue LED Intensity	000-255

52	LED Color	9 White LED Intensity	000-255
53	LED Color	9 Amber LED Intensity	000-255
54	LED Color	9 UV LED Intensity	000-255
55	LED Color	10 Red LED Intensity	000-255
56	LED Color	10 Green LED Intensity	000-255
57	LED Color	10 Blue LED Intensity	000-255
58	LED Color	10 White LED Intensity	000-255
59	LED Color	10 Amber LED Intensity	000-255
60	LED Color	10 UV LED Intensity	000-255
61	LED Color	11 Red LED Intensity	000-255
62	LED Color	11 Green LED Intensity	000-255
63	LED Color	11 Blue LED Intensity	000-255
64	LED Color	11 White LED Intensity	000-255
65	LED Color	11 Amber LED Intensity	000-255
66	LED Color	11 UV LED Intensity	000-255
67	LED Color	12 Red LED Intensity	000-255
68	LED Color	12 Green LED Intensity	000-255
69	LED Color	12 Blue LED Intensity	000-255
70	LED Color	12 White LED Intensity	000-255
71	LED Color	12 Amber LED Intensity	000-255
72	LED Color	12 UV LED Intensity	000-255
73	LED Color	13 Red LED Intensity	000-255
74	LED Color	13 Green LED Intensity	000-255
75	LED Color	13 Blue LED Intensity	000-255
76	LED Color	13 White LED Intensity	000-255
77	LED Color	13 Amber LED Intensity	000-255
78	LED Color	13 UV LED Intensity	000-255
79	LED Color	14 Red LED Intensity	000-255
80	LED Color	14 Green LED Intensity	000-255
81	LED Color	14 Blue LED Intensity	000-255
82	LED Color	14 White LED Intensity	000-255
83	LED Color	14 Amber LED Intensity	000-255
84	LED Color	14 UV LED Intensity	000-255
85	LED Color	15 Red LED Intensity	000-255
86	LED Color	15 Green LED Intensity	000-255
87	LED Color	15 Blue LED Intensity	000-255
88	LED Color	15 White LED Intensity	000-255
89	LED Color	15 Amber LED Intensity	000-255
90	LED Color	15 UV LED Intensity	000-255
91	LED Color	16 Red LED Intensity	000-255
92	LED Color	16 Green LED Intensity	000-255
93	LED Color	16 Blue LED Intensity	000-255
94	LED Color	16 White LED Intensity	000-255
95	LED Color	16 Amber LED Intensity	000-255
96	LED Color	16 UV LED Intensity	000-255
97	LED Color	17 Red LED Intensity	000-255
98	LED Color	17 Green LED Intensity	000-255
99	LED Color	17 Blue LED Intensity	000-255
100	LED Color	17 White LED Intensity	000-255
101	LED Color	17 Amber LED Intensity	000-255
102	LED Color	17 UV LED Intensity	000-255
103	LED Color	18 Red LED Intensity	000-255
104	LED Color	18 Green LED Intensity	000-255
105	LED Color	18 Blue LED Intensity	000-255
106	LED Color	18 White LED Intensity	000-255
107	LED Color	18 Amber LED Intensity	000-255
108	LED Color	18 UV LED Intensity	000-255

## Rigging the Fixture

---

### Caution!

1. The installations must be carried out by an authorized dealer or trained professional.
2. Unit may cause severe injuries if you have doubts concerning the safety do not install.
3. Unit is to be 24inches away from flammable materials (decoration material)
4. Use high quality installation equipment to hang unit.

When rigging a unit it is very important that you follow common safety procedures. Rigging requires extensive experience including but not limited to calculating working loads, material being used and periodic safety inspections. If you lack these qualifications, do not attempt the installation yourself, instead use a professional structural rigger.

When rigging the unit always be secured with a secondary safety attachment. The installation location of the projector has got to be built in the way that it can hold 10 times the weight for 1 hour. Installation should be checked at least one time a year by a skilled person.

## Cleaning and Maintenance

---

**Installation Maintenance:** The operator has to make sure that the unit is operating safely and has the installations and electronics checked by an expert every 2 years.

The following points have to be considered during the inspection:

- 1) All screws used for installing the device or part of the device have to be tightly connected and must not be corroded.
- 2) There must not be any deformations on the housing, fixation and installation spots (ceiling, suspension, trussing).
- 3) The electronic power supply cables must not show any damages, material fatigue (e.g. porous cables) or sediments. Further instructions depending on the installation spot and usage have to be adhered by a skilled installer and any safety problems have to be removed.

**Note:** There is no serviceable parts inside the device. Maintenance and service operations are to be carried out by authorized dealers.

**Replacing the fuse:** When possible only replace the fuse with the same type and rating.

**Replacing the power cable:** If the power cable of this device becomes damaged, it has to be replaced by authorized dealers or trained professional only.

**Cleaning:** Only clean the fixture using a damp cloth.

**Should you have further questions , please contact your dealer.**

## MEGA Systems, Inc. Warranty

MEGA SYSTEMS INC (“MSI”) hereby warrants to the original purchaser/owner (“Customer”), MSI products to be free of manufacturing defects in material and workmanship, for the warranty periods as defined below from the original purchase invoice date. This warranty applies exclusively to new MSI branded and/or distributed products listed below, purchased from an MSI AUTHORIZED dealer/ reseller. This warranty is not transferable and may or may not apply to products sold and/or forwarded outside the United States. Please contact MSI for applicable regional product warranty information.

The purchase of MSI product constitutes the Customer’s acceptance of all warranty terms and conditions as listed in this limited warranty statement. This warranty provides the Customer with legal rights, which may vary from state to state. Please contact MSI regarding warranty questions prior to purchasing.

Product / Series	Warranty Period	Coverage
Battery Powered LED	Six month battery, one year all other components	1, 2
Moving LED, Hazers	One year	2
Outdoor IP-Rated LED	Two years	3
House Light LED, Decorative LED, Compact LED, iCandy LED, Theatrical LED, Strobe Wash LED, Follow Spot LED, Lighting Control, Direct View LED Displays and Video Control	Three years	4
<p><b>1. Battery: 183 days/six months</b></p> <p><b>2. Parts and Labor: 365 days/one year</b></p> <p><b>3. Parts and Labor: 730 days/two years</b></p> <p><b>4. Parts and Labor: 1095 days/three years</b></p>		
<p><b>This limited warranty excludes any defects caused by, resulting from or relating to the following:</b></p> <p>Normal wear and tear of lamps, color media, brushes, contact rings, lamp sockets, belts and other parts prone to wear and tear.</p> <p>Misuse, abuse, improper handling, accident, alteration or attempts to repair by or on behalf of the owner or any person not authorized by MSI.</p> <p>Damage to the product resulting from acts of God, including, but not limited to, earthquakes, hurricanes, tornados, lightning and other natural disasters, fire, explosion, flood, riots, civil disorder or any other cause beyond the reasonable control of MSI.</p> <p>Exposure to harsh or excessively corrosive environmental conditions (whether indoors or outdoors), including, but not limited to, extreme temperatures, humidity, atmospheric conditions (including salinity or pressure), radiation (UV, infrared or nuclear), shock and conditions which exceed the product’s Ingress Protection (“IP”) rating.</p> <p>Use of the product in a manner which exceeds the applicable product specification, including, but not limited to, exposure to excessive, insufficient or other voltage conditions.</p> <p>Installation or use of the product not in accordance with the technical documentation, MSI guidelines (as may be posted on its website at <a href="http://www.megasystemsinc.com">www.megasystemsinc.com</a> from time to time or otherwise designated by MSI or its brands) or applicable building and electrical codes, regulations and standards.</p> <p>Failure to maintain the product in accordance with the technical documentation.</p> <p>Natural degradation and color shift of the LED source over the course of normal product use.</p> <p>Slight deviations in the specified values of intensity and color that do not affect the functionality of the product.</p> <p>Use of the product not for its intended purpose.</p>		

All warranty claims are evaluated under the terms of this limited warranty. If a product falls within the warranty period and if, upon examination by MSI it is found to have failed for a covered cause, MSI will, at its sole discretion, repair or replace the defective part or product or reimburse the purchaser a pro-rated portion of the purchase price based on the percentage of the warranty period still remaining as of the date that the returned product was received by MSI. Should a replacement part or product be discontinued or unavailable, MSI reserves the right, in its sole and absolute discretion, to substitute a comparable replacement part or product for the defective part or product. MSI warranty obligation hereunder is limited solely to the repair or replacement of or reimbursement for the particular parts or products determined by MSI to have failed for a covered cause within the warranty period. In no event shall MSI be responsible to replace or reimburse purchaser for any products or portions of a system that MSI determines has not failed for a covered cause within the warranty period, even if such other products or portions of a system are used together with products being repaired or replaced by MSI under this warranty and the repaired product differs in brightness, colors or any other attribute after the repair.

Costs of removal, shipping to MSI or its authorized representative and reinstallation are solely the responsibility of the purchaser. If MSI determines that the product is covered by this limited warranty, it will only pay for parts and labor as indicated by product type. If MSI determines that the product is not covered by this limited warranty, the purchaser will have the option of paying for the repair (if the product can be repaired) and the purchaser shall be responsible for the cost of shipping the repaired product back to the purchaser. MSI reserves the right, in its sole and absolute discretion, to decline any repair.

IN NO EVENT SHALL MEGA SYSTEMS, INC. BE LIABLE FOR ANY INCIDENTAL, CONSEQUENTIAL, SPECIAL, INDIRECT OR PUNITIVE LOSS OR DAMAGE OF ANY KIND, INCLUDING, BUT NOT LIMITED TO, LOSS OF PROFITS OR REVENUES, LOSS OF USE OF THE PRODUCT OR ANY OTHER GOODS OR ASSOCIATED EQUIPMENT, DAMAGE TO ANY ASSOCIATED EQUIPMENT, COST OF CAPITAL, COST OF SUBSTITUTE PRODUCTS, FACILITIES OR SERVICES, DOWN TIME COST, INSTALLATION OR LABOR COSTS, OR CLAIMS OF THE PURCHASER’S CUSTOMERS, WHETHER BASED ON WARRANTY, CONTRACT OR NEGLIGENCE, ARISING IN CONNECTION WITH THE SALE, USE OR REPAIR OF THE PRODUCT. MEGA SYSTEMS INC’S MAXIMUM LIABILITY SHALL NOT, IN ANY CASE, EXCEED THE PURCHASE PRICE OF THE PRODUCT THAT GIVES RISE TO THE CLAIM.

EXCEPT FOR THE LIMITED WARRANTY SET FORTH HEREIN, ALL PRODUCTS SOLD BY MEGA SYSTEMS, INC. ARE SOLD “AS IS” WITHOUT ANY WARRANTY, EXPRESS OR IMPLIED, STATUTORY OR OTHERWISE, INCLUDING, BUT NOT LIMITED TO, IMPLIED WARRANTIES OF MERCHANTABILITY AND FITNESS FOR A PARTICULAR PURPOSE, ALL OF WHICH ARE EXPRESSLY AND SPECIFICALLY DISCLAIMED BY MEGA SYSTEMS, INC.

# Customer Support

Mega Lite has a customer support line to provide set up help and to answer any question should you encounter a problem. Please visit our website for any other related technical documents. For service related issue please contact our service dept.

Monday—Friday 9am to 6pm CST  
Voice: 210-684-2600  
E-mail: [service@mega.lighting](mailto:service@mega.lighting)

## Manual Version

Please Visit [www.mega.lighting](http://www.mega.lighting) for the most up to date manual version

Document Version	Date	Fixture Software	Notes
1.0	01/06/2022	V1.0	



Mega-Lite  
18668 Highway 16N  
Helotes, Texas 78023  
Ph 210-684-2600 Fax 210-855-6279  
[www.mega.lighting](http://www.mega.lighting) / [info@mega.lighting](mailto:info@mega.lighting)