

Obra Flood N180

MEGALITE®
PRODUCT SPECIFICATION SHEET

DESCRIPTION

The Obra Flood N180 is a low profile wash unit that can be used to distribute bright colors evenly across any stage. Equipped with three 60W LEDs, it has nine different colors (red, dark red, fire red, green, aqua, lime, blue, indigo and amber) that can be used to create an assortment of various colors.

It is designed to create a clean wash effect, smooth color mixing transitions and generate vibrant colors that can transform any venue.



COLORS

The Obra Flood N180's compact design allows for many versatile uses.



MOUNTING

The Obra Flood comes with a variety of vibrant colors including Dark red, red, fire red, green, aqua, lime, blue, indigo, and amber.



BARN DOORS

The included barn doors allow for a more controllable beam.

SOURCE

- LED TYPE: 60 SINGLE COLOR LEDS
- LED WATTS: 3 WATTS EACH

OPTICAL SYSTEM

- LENS ANGLE: 97°
- BARNDOORS: INCLUDED
- DIFFUSER: INCLUDED

EFFECTS

- COLOR TYPE: DARK RED, RED, FIRE RED, GREEN, AQUA, LIME, BLUE, INDIGO, AMBER
- CRI: 62 ON ALL COLORS ON
- CCT: 10809K @ FULL

CONTROL & PROGRAMMING

- DISPLAY: DIGITAL
- PROTOCOL: DMX 512
- RDM: YES
- DMX CHANNELS: 4 MODES OF OPERATION

MOVEMENT

- TILT: MANUAL

THERMAL & RATINGS

- MAX AMBIENT TEMP: 40°C (104°F)
- MAX SURFACE TEMP: 60°C (140°F)
- IP RATING: IP20

ELECTRICAL & CONNECTIONS

- POWER CONNECTION: PANEL MOUNT POWER CON TYPE IN/OUT
- SIGNAL CONNECTORS: PANEL MOUNTED 5-PIN XLR CONNECTORS IN/OUT
- POWER SUPPLY: UNIVERSAL 100V-240V 50/60HZ

RIGGING:

- INSTALLATION SYSTEM: ACCESSORY CLAMP FIXTURE TRACK MOUNTS

ORDERING INFO:

- OBRA FLOOD N180

ACCESSORIES:

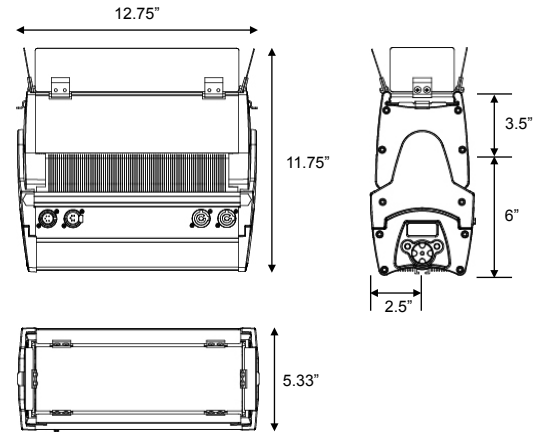
- SMALL BARN DOOR:
- LARGE BARN DOOR:
- CLAMP MOUNT:

INCLUDED ITEMS:

- POWER CABLE

DIMENSIONS:

- FIXTURE SIZE: 12.75" X 5.33" X 11.75"
- FIXTURE WEIGHT: 14 lb
- PACKAGED SIZE: 15" x 12.5" x 8"
- PACKAGED WEIGHT: 15 lb

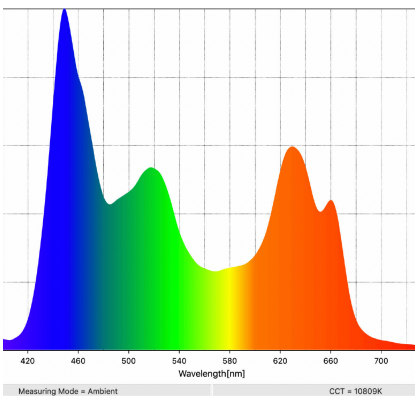


*SPECIFICATIONS SUBJECT TO CHANGE

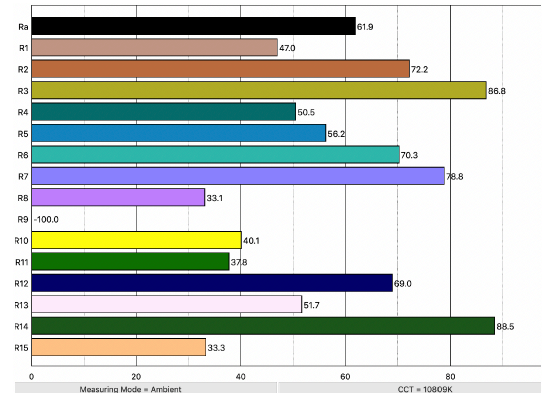
PHOTOMETRICS:

Lumens @ Full Output: 1,380
Efficacy: 13 lm/W

COLOR RENDERING:



CRI:



NOMINAL BEAM ANGLE = 97°



NOMINAL BEAM ANGLE = 97°

