

CIRCA XL

S C O O P L E D

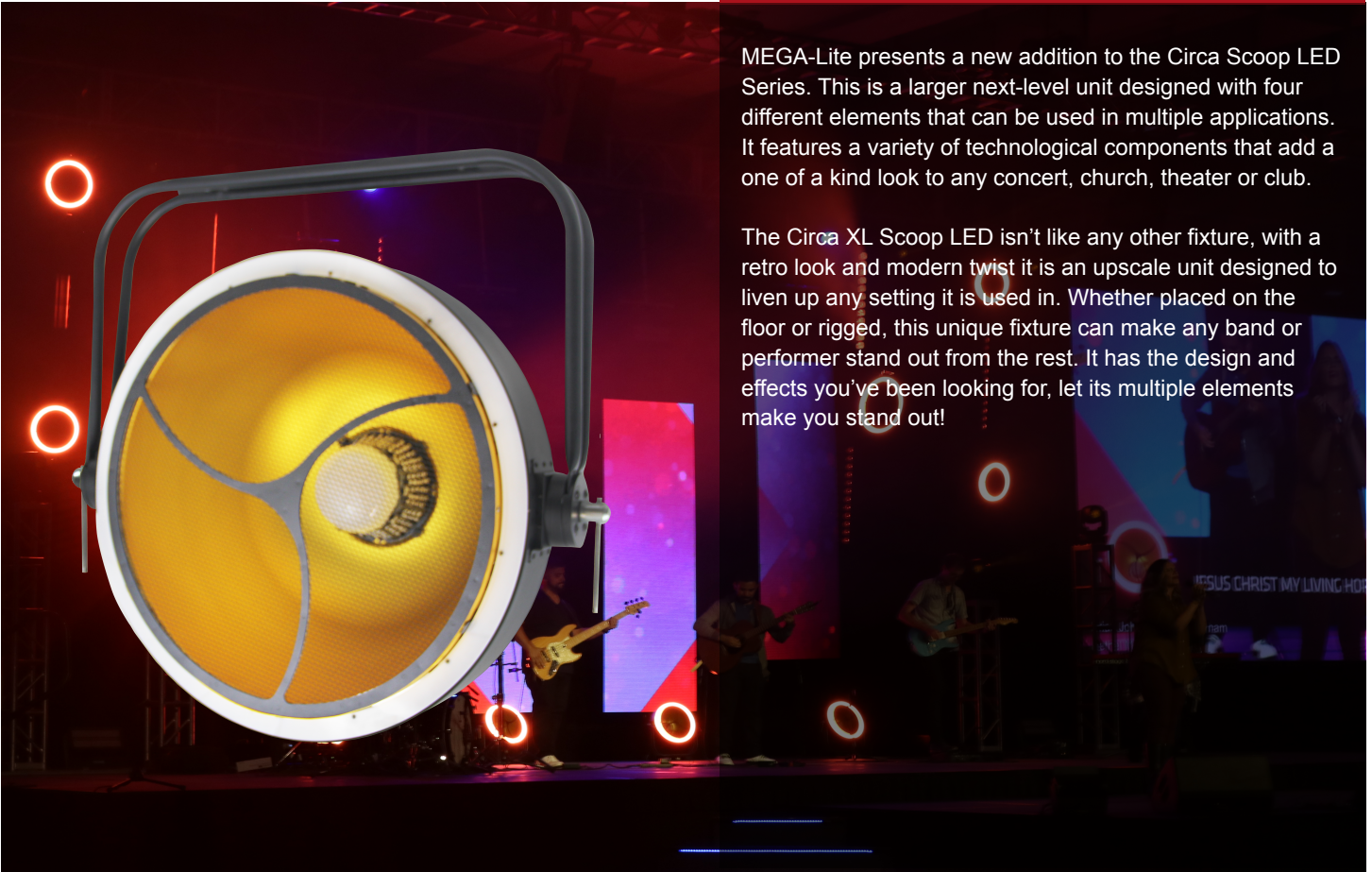
MEGA^{LITE}

PRODUCT SPECIFICATION SHEET

DESCRIPTION

MEGA-Lite presents a new addition to the Circa Scoop LED Series. This is a larger next-level unit designed with four different elements that can be used in multiple applications. It features a variety of technological components that add a one of a kind look to any concert, church, theater or club.

The Circa XL Scoop LED isn't like any other fixture, with a retro look and modern twist it is an upscale unit designed to liven up any setting it is used in. Whether placed on the floor or rigged, this unique fixture can make any band or performer stand out from the rest. It has the design and effects you've been looking for, let its multiple elements make you stand out!



LEDS

The Circa XL Scoop LED has 464 RGB, 108 WW, and 60 WW + AMBER.



SEGMENT CONTROL

The Circa XL Scoop LED has eight segments of control for the inner and outer rings which you can use to create incredible effects.



UNIQUE EFFECTS

The Circa XL Scoops independent control of dimmer, macro, and strobe effects can be used to create a multitude of unique effects.

SOURCE

• LED QUANTITY: 464 RGB 108 WARM WHITE 60 WARM WHITE + AMBER

OPTICAL SYSTEM

• LED ANGLE: 140° (Outer Ring)
• SCAN RATE: 7000Hz

CONTROL & PROGRAMMING

• CONTROL OPTIONS: DISPLAY CONTROL
• PROTOCOL: DMX 512 PROTOCOL
• DMX CHANNELS: 5 OPERATING MODES

THERMAL & RATINGS

• MAX AMBIENT TEMP: 43°C (110°F)
• MAX SURFACE TEMP: 60°C (140°F)

ELECTRICAL & CONNECTIONS

• POWER CONNECTION: POWER CON TYPE
• DMX CONNECTORS: 5-PIN XLR CONNECTORS
• POWER SUPPLY: ELECTRONIC AUTO SWITCHING 110V-240V 50/60HZ
• POWER CONSUMPTION: WATTS: 528 AMPS: 4.57
• FUSE: 5X20 F5AL250V

RIGGING:

• INSTALLATION SYSTEM: 2 QUICK RELEASE CLAMP MOUNT
• MOUNTING YOKE: SQUARE YOKE

ORDERING INFO:

• CIRCA SCOOP XL LED

ACCESSORIES:

• REMOVABLE FLOOR BASE:
• SMOKE RING FILTER:
• DUAL ROAD CASE:

INCLUDED ITEMS:

• POWER CABLE

DIMENSIONS:

• FIXTURE SIZE: 28" X 14" X 26.5"
• FIXTURE WEIGHT: 27 lbs
• PACKAGED SIZE: 32.5" X 18.5" X 30"
• PACKAGED WEIGHT: 35.5 lbs

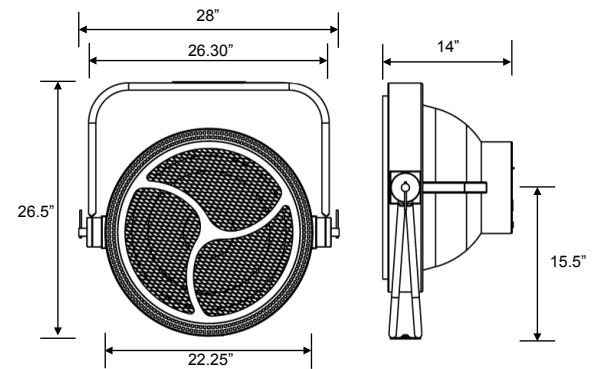
PART NUMBER:

5201

5201-ACC-BAS

5201-ACC-SMO

CAS-5201-2



*Specifications subject to change