

MEGA LITE

Obra Flood N180



USER MANUAL

Table of Contents

Safety Information	3
Specifications	4
Photometrics	5
Main Power Connection	6
DMX-512 Connection	6
DMX Profile	7
Main Control Menu	9
Size and Weight	11
Rigging the Fixture	12
Cleaning & Maintenance	13

Check that the unit has not been damaged during transport



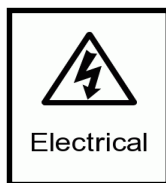
Read all cautions and warnings
prior to operation of this
equipment

Protection Against Fire



1. Maintain a minimum of 1 foot distance from any type of flame.
3. Replace fuse only with the specified type and rating.
4. Do Not install the unit too close to a heat source.
5. Make sure cables are properly secured
6. Maximum surface operating temperature 140°.

Protection Against Electrical Fire



1. Disconnect power before servicing.
2. For connection to main power supply proceed to page 6.
3. This unit must be earthed. (electronically grounded)
4. This fixture must not be left on for long periods of time.

Protection Against Mechanical Hazards



1. Use safety chain when hanging unit.
2. Use quality clamps or bolts when positioning unit
3. Do not open unit while it is on, risk of electrical shock.

Technical Information

Part Numbers

Fixture

Item # 4340—Obra Flood N180

Mechanical Specifications

Signal Connectors:	Panel Mounted 5-pin XLR connectors in/out
Power Connectors:	Panel Mount Power Con type in/out connection (Nema 5-15 to Blue power male cable included)
Thermal:	Maximum ambient temperature 40° C Maximum surface temperature 60° C
Display:	Digital
Fastening System:	Accessory clamp fixture track mounts
Lens Angle:	97°
Barndoors:	Included
Diffuser:	Included

Electrical Specifications

LED Type:	60 single color LEDs
Color Type:	Dark Red, Red, Fire Red, Green, Aqua, Lime, Blue, Indigo, Amber
CRI:	62 on all colors on
CCT:	10809K @ full
LED Watts:	3 Watts each
Power Consumption:	Universal 100 - 240V 50/60 Hz
Ballast:	Electronic
Watts:	152W
Current:	1.26A
PF:	1.0

Control & Programming

Protocol:	DMX 512
RDM:	Yes
DMX Channels:	4 Mode of Operation Mode 4 Channel=Red (Dark Red, Red, Fire Red), Green (Green, Aqua, Lime) Blue, Indigo, Amber Mode 9 Channel= Dark Red, Red, Fire Red, Green, Aqua, Lime, Blue, Indigo, Amber Mode 10 Channel= Dimmer, Dark Red, Red, Fire Red, Green, Aqua, Lime, Blue, Indigo, Amber Mode 14 Channel=Dimmer, Dark Red, Red, Fire Red, Green, Aqua, Lime, Blue, Indigo, Amber, Strobe, Macro, Macro Speed, Dimmer Speed
Operating Mode:	Stand alone 255 step dimmer setting via display Auto preprogram via display

Photometrics

Output at full

Lumens at full output	Efficacy
1,380	13 lm/W

CCT: 10809K

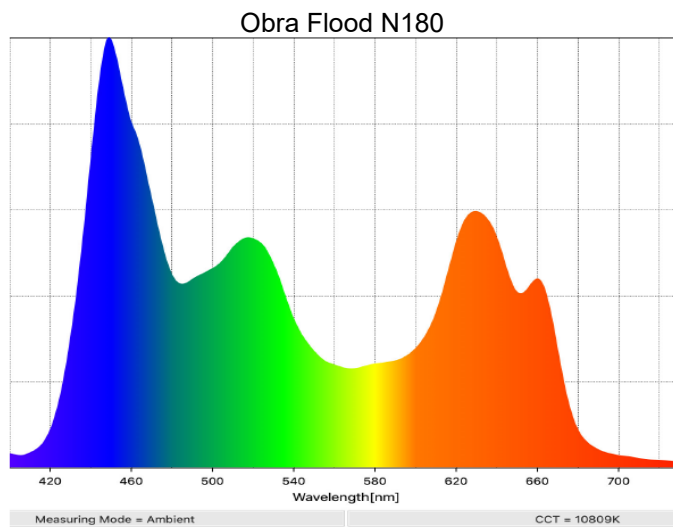
Duv: -0.0172

CRI (Ra): 62

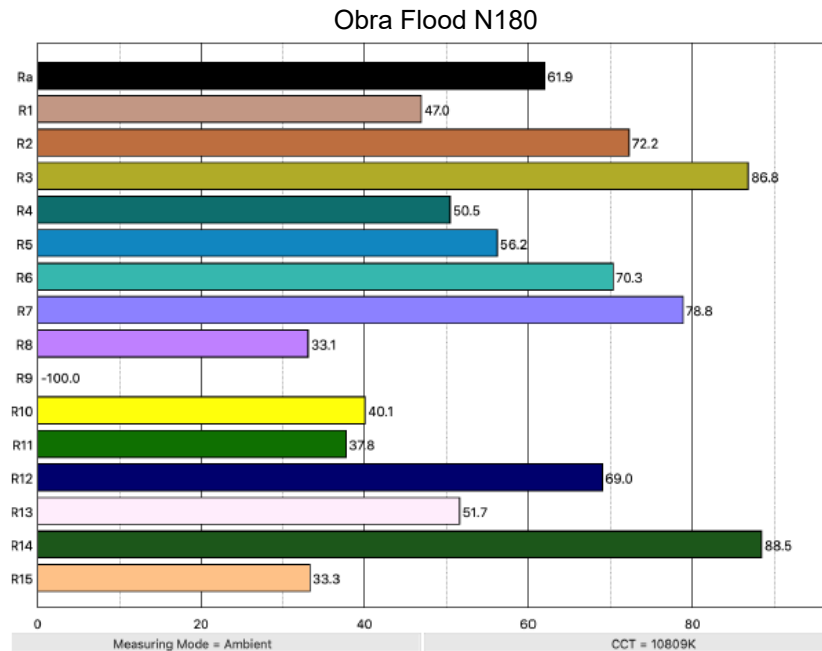
TM-30 (Rf): 74

TM-30 (Rg): 113

Spectrum



CRI Samples





Main Power Connection

Caution!

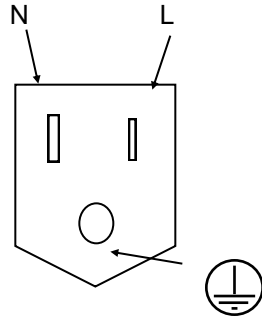
1. Do not connect fixture to a dimmer system.
2. This unit has Auto switching power supply. It will respond to 110V or 220V automatically
3. This unit must be earthed. (electronically grounded)
4. Replace fuse only with the specified type and rating.

The occupation of the connection-cable is as follows:

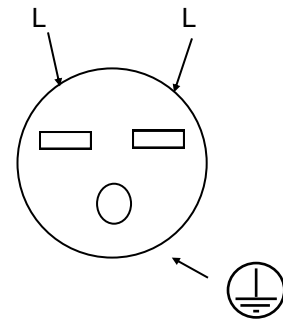
This fixture is equipped with an electronic power supply that will let the unit operate from 100V to 240V from 50Hz to 60Hz

Cable (USA)	Cable (EU)	Pin	110V	220V
Black	Brown	Live	L	L
White	Light Blue	Neutral	N	L
Green	Yellow/Green	Ground		

110V—Connection



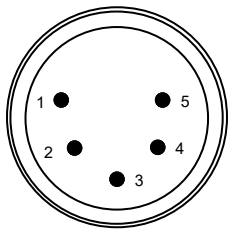
220V—Connection



DMX-512 Connection

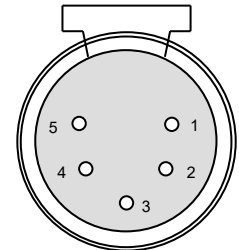
The fixture is equipped with 5 pin XLR cable mounted sockets for DMX input and output. The sockets are wired in parallel. Only use a shielded twisted pair cable designed for RS-485 and 5 pin XLR plugs and connectors in order to connect the controller with the fixture or the fixture with another.

DMX—input



1. Shield
2. Signal (-)
3. Signal (+)
4. N/A
5. N/A

DMX—output



Caution!

At the last fixture the DMX signal needs to be terminated with a terminator. Solder a 120 Ohm resistor between the (-) and the (+) signal into a 3 or 5 pin XLR plug and plug it in to the last fixture on the signal run. Pre-manufactured terminator plugs are available for purchase from your Mega-Lite dealer (P-DMXT).

Obra Flood N180 4 Channel Mode

DMX Channel	Function	Description	Value	Init
1	LED Color	Red LED intensity	0-255	255
2	LED Color	Green LED Intensity	0-255	255
3	LED Color	Blue LED Intensity	0-255	255
4	LED Color	Amber LED Intensity	0-255	255

Obra Flood N180 9 Channel Mode

DMX Channel	Function	Description	Value	Init
1	LED Color	Dark Red LED Intensity	0-255	255
2	LED Color	Red LED Intensity	0-255	255
3	LED Color	Fire Red Intensity	0-255	255
4	LED Color	Green LED Intensity	0-255	255
5	LED Color	Aqua LED Intensity	0-255	255
6	LED Color	Lime Red Intensity	0-255	255
7	LED Color	Blue LED Intensity	0-255	255
8	LED Color	Indigo LED Intensity	0-255	255
9	LED Color	Amber LED Intensity	0-255	255

Obra Flood N180 10 Channel Mode

DMX Channel	Function	Description	Value	Init
1	Dimmer	Dimmer	0-255	255
2	LED Color	Dark Red LED Intensity	0-255	255
3	LED Color	Red LED Intensity	0-255	255
4	LED Color	Fire Red Intensity	0-255	255
5	LED Color	Green LED Intensity	0-255	255
6	LED Color	Aqua LED Intensity	0-255	255
7	LED Color	Lime Red Intensity	0-255	255
8	LED Color	Blue LED Intensity	0-255	255
9	LED Color	Indigo LED Intensity	0-255	255
10	LED Color	Amber LED Intensity	0-255	255

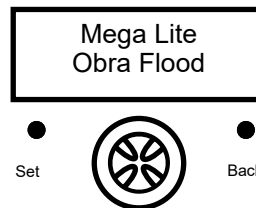
Obra Flood N180 14 Channel Mode

DMX Channel	Function	Description	Value	Init
1	Dimmer	Dimmer	0-255	255
2	LED Color	Dark Red LED Intensity	0-255	255
3	LED Color	Red LED Intensity	0-255	255
4	LED Color	Fire Red Intensity	0-255	255
5	LED Color	Green LED Intensity	0-255	255
6	LED Color	Aqua LED Intensity	0-255	255
7	LED Color	Lime Red Intensity	0-255	255
8	LED Color	Blue LED Intensity	0-255	255
9	LED Color	Indigo LED Intensity	0-255	255
10	LED Color	Amber LED Intensity	0-255	255
11	Strobe	No Function	0-10	0
		Strobe (slow to fast)	11-115	
		Random (slow to fast)	116-255	
12	Macro	No Function	0	0
		Fade	1-75	
		Chase	76-150	
		Color	151-255	
13	Macro Speed	No Function	0-10	0
		Slow to Fast	11-255	
14	Dimmer Speed	No Function	1-50	0
		Dimmer Speed 1	51-100	
		Dimmer Speed 2	101-150	
		Dimmer Speed 3	151-200	
		Dimmer Speed 4	201-255	

Note: For Strobe function to work Dimmer Speed needs to be engaged.

Main Control Menu

The control board on the fixture is your interface to access and control all the functions on the unit. Its digital display gives you a code view of the options and functions. The following will explain each function and its options.



Menu: DMX Add	DMX Address
<p>Press Center Red Knob to select the DMX start channel turn knob left or right to select DMX Start Channel keys, Press Set to confirm the setting</p>	

Menu: ChMode	DMX Mode
<p>This function allows you to select the mode in which you want to control the fixture. Press Center Red Knob turn the knob left/right to select desired DMX mode settings. Press Set to confirm the settings.</p>	
4 CH	Red, Green, Blue, Amber
9 CH	Dark Red, Red, Fire Red, Green, Aqua, Lime, Blue, Indigo, Amber
10 CH	Dimmer, Dark Red, Red, Fire Red, Green, Aqua, Lime, Blue, Indigo, Amber
14 CH	Dimmer, Dark Red, Red, Fire Red, Green, Aqua, Lime, Blue, Indigo, Amber, Strobe, Macro, Macro Speed, Dimmer Speed

Menu: Dimmer	Color Dimmer			
<p>This function allows you to dim up or down the LED's . Press Center Red knob turn the knob left/right to select desired color to adjust settings. Note:(Once fixture is powered down and powered up the fixture will return to last setting)</p>				
<div style="border: 1px solid black; padding: 5px; margin-bottom: 5px;">R1 Val:000</div> <div style="border: 1px solid black; padding: 5px; margin-bottom: 5px;">R2 Val:000</div> <div style="border: 1px solid black; padding: 5px; margin-bottom: 5px;">R3 Val:000</div> <div style="border: 1px solid black; padding: 5px;">G1 Val:000</div>	Dark Red Red Fire Red Green	<div style="border: 1px solid black; padding: 5px; margin-bottom: 5px;">G2 Val:000</div> <div style="border: 1px solid black; padding: 5px; margin-bottom: 5px;">G3 Val:000</div> <div style="border: 1px solid black; padding: 5px; margin-bottom: 5px;">B1 Val:000</div> <div style="border: 1px solid black; padding: 5px;">B2 Val:000</div>	Aqua Lime Blue Indigo	<div style="border: 1px solid black; padding: 5px; margin-bottom: 5px;">A1 Val:000</div> Amber

Menu: Dim Curve	Dim Curve
Press Center Red Knob to select dim curve type turn knob left or right to select fixture dimmer setting, Press Set to confirm the setting (note: there is 0,1,2,3,4 options)	

Menu:	Temperature
Press Center Red Knob to read current temperature	

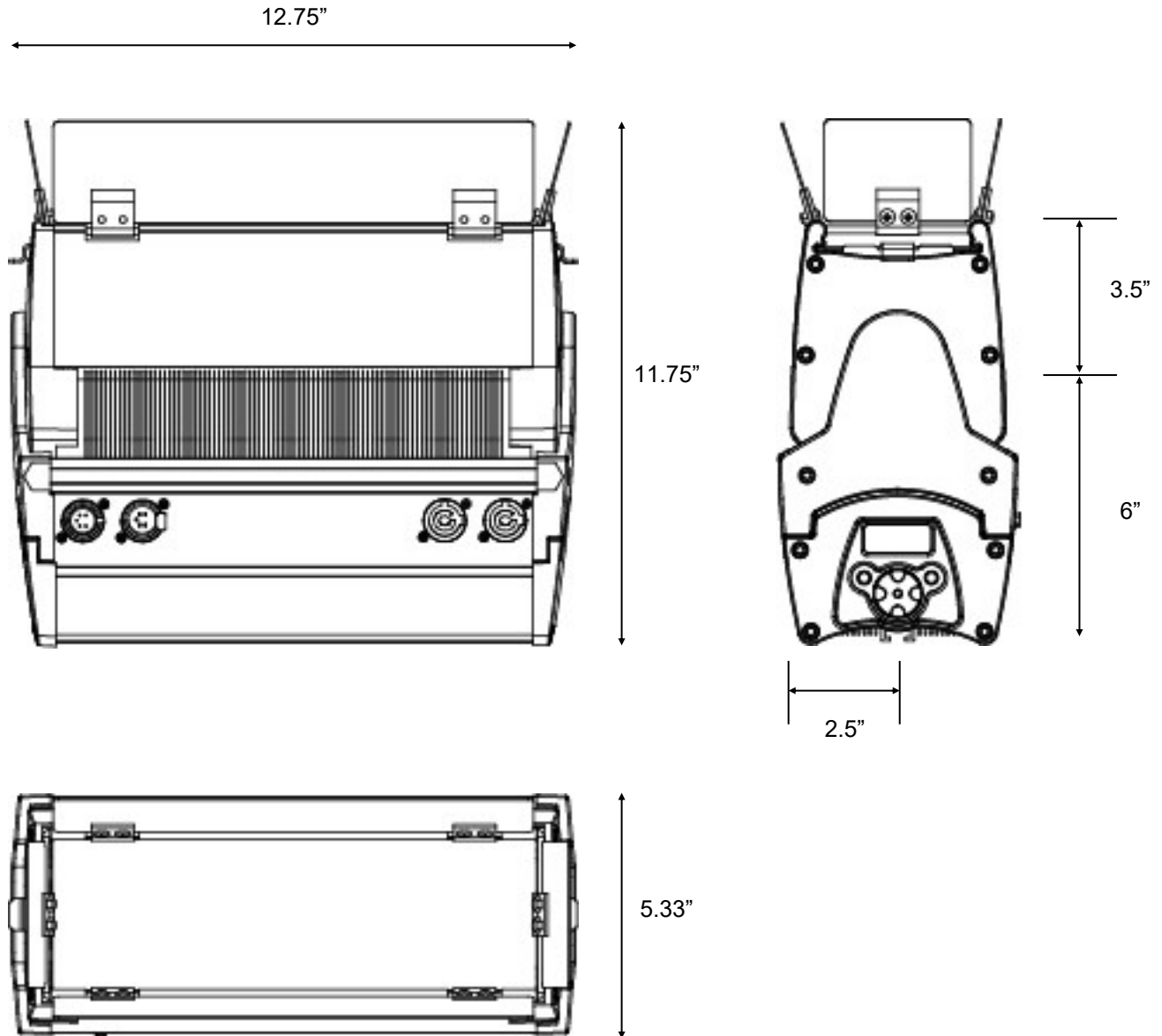
Menu: Fan	Info
Fan: Close	Fan will remain off (Warning do not use this setting for long periods of time.)
Fan: Auto	Fan Speed will adjust depending on fixtures internal temperature (recommended use)
Fan: Open	Fan will remain on all time

Menu: Fade	Info
Fade 1	Fade from one color to another slow speed 1 slowest to 15 fastest

Menu: Info	Info		
RDM Number	6342	Software Version	V1.1

Menu: Cali	Info
Cali R1	This function will give the max output when used in DMX Mode. Press Center Red Knob each output color can be set by setting max out from 255 the highest to 25 the lowest. Press Set to Confirm setting

Size and Weight



Size

12.75" x 5.33" x 11.75"

Packaged Size

15" x 12.5" x 8"

Weight

Net 14lb

Gross 15lb

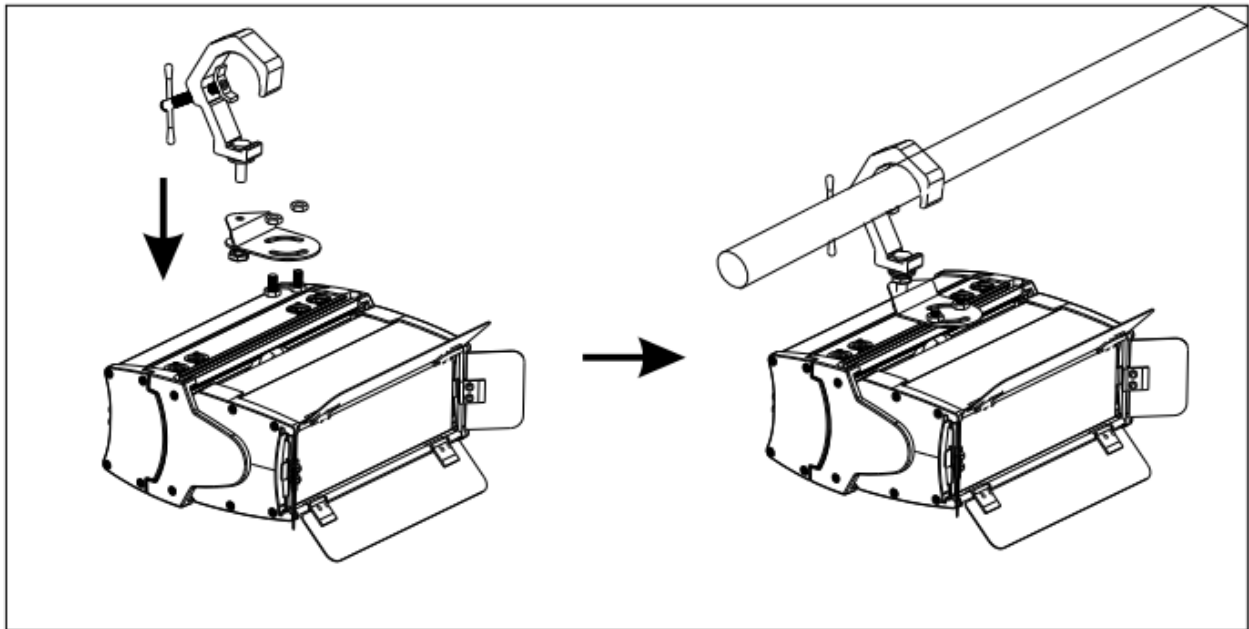
Rigging the fixture

Caution!

1. The installations must be carried out by an authorized dealer or trained professional.
2. Unit may cause severe injures if you have doubts concerning the safety do not install.
3. Unit is to be 24inches away from flammable materials (decoration material)
4. Use high quality installation equipment to hang unit.

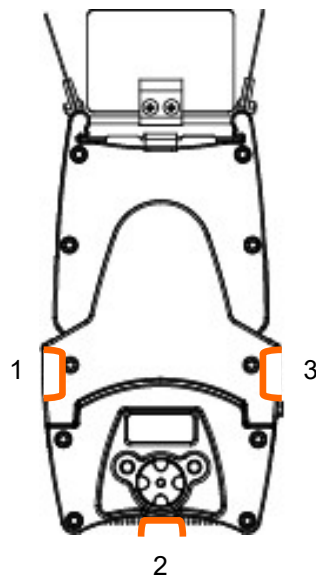
When rigging a unit it is very important that you follow common safety procedures. Rigging requires extensive experience including but not limited to calculating working loads, material being used and periodic safety inspections. If you lack these qualifications, do not attempt the installation yourself, instead use a professional structural rigger.

When rigging the unit always be secured with a secondary safety attachment. The installation location of the fixture has got to be built in the way that it can hold 10 times the weight for 1 hour with out any harming. Installation should be checked at least one time a year by a skilled person.



Instructions;

To add mounting hardware slide 2 Bolts head first to track in position 1,2 or 3. Add clamp mounting hardware then secure with 2 washers and nuts. Please make sure all nuts are tight and secure



There is 3 mounting track positions for the clamp mount.

Cleaning and Maintenance

Installation Maintenance: The operator has to make sure that the unit is operating safely and has the installations and electronics checked by an expert every 2 years.

The following points have to be considered during the inspection:

- 1) All screws used for installing the device or part of the device have to be tightly connected and must not be corroded.
- 2) There must not be any deformations on the housing, fixation and installation spots (ceiling, suspension, trussing).
- 3) The electronic power supply cables must not show any damages, material fatigue (e.g. porous cables) or sediments.
Further instructions depending on the installation spot and usage have to be adhered by a skilled installer and any safety problems have to be removed.

Note: There is no serviceable parts inside the device except for the LED's. Maintenance and service operations are to be carried out by authorized dealers.

Replacing the fuse: When possible only replace the fuse with the same type and rating.

Replacing the power cable: If the power cable of this device becomes damaged, it has to be replaced by authorized dealers or trained professional only.

Should you have further questions , please contact your dealer.

Parts List

4340-LED-MOD	LED Module
4340-PCB-MAI	Main PCB card
4340-POW	Power Supply
4340-CON-SIG	Male & Female Signal Connection
4340-HOU-BAR-S	Small Barn Door
4340-HOU-BAR-L	Large Barn Door
4340-PCB-DRI	LED Driver
4340-PCB-DIS	Display
4340-DIF	Front Diffusion
4340-HOU-ROT	Rotary Knob for display
4340-POW	Power Supply
4340-HOU-MOU	Clamp Mount
4340-PCB-POW	Power Supply Relay

Warranty Information

Warranty Conditions

- Unless otherwise stated in writing, your product is covered by a one year parts and labor limited warranty.
- LED's and LAMPS are not guaranteed to match in color temperature or output.
- It is the owner's responsibility to furnish receipts or invoices for verification of purchase, date, and reseller or distributor. If purchase date cannot be provided, date of manufacture will be used to determine warranty period.
- Goods returned under warranty must follow the proper authorization procedure and must be accompanied by a copy of the original invoice.
- Goods repaired under warranty will be returned to the owner with the freight prepaid by MSI via the most economical means of shipment.
- Repair or replacement as provided for under this warranty is the exclusive remedy of the consumer. MEGA SYSTEMS INC. makes no warranties, express or implied, with respect to any product, and Mega Systems specifically disclaims any warranty of merchantability or fitness for a particular purpose. Mega Systems shall not be liable for any indirect, incidental or consequential damage, including lost profit, sustained or incurred in connection with any product or caused by product defect or the partial or total failure of any product regardless of the form of action, weather in contract, tort (including negligence), strict liability or otherwise, and weather or not such damage was foreseen or unforeseen.
- Warranty is void if the product is misused, damaged, modified in any way, or for unauthorized repairs or parts. This warranty gives you specific legal rights, and you may also have other rights which vary from state to state.

Customer Support

Mega Lite has a customer support line to provide set up help and to answer any question should you encounter a problem. Please visit our website for any other related technical documents. For service related issue please contact our service dept.

Monday—Friday 9am to 6pm CST
Voice: 210-684-2600
E-mail: service@mega.lighting

Manual Version

Please Visit www.mega.lighting for the most up to date manual version

Document Version	Date	Fixture Software	Notes
1.1	10/08/2019	V1.1	



Mega-Lite
18668 Highway 16N
Helotes, Texas 78023
Ph 210-684-2600 Fax 210-855-6279
www.mega.lighting / info@mega.lighting