

[®]**MEGA**
LITE

Outerboot
WASH 340



USER MANUAL

Table of Contents

Safety Information.....	2
What's Included.....	2
Specifications.....	3
Main Power Connection.....	4
DMX Connection.....	4
Display Control	5
DMX Profile	8
Size & Weight.....	15
Segments.....	16
Cleaning & Maintenance.....	16
Warranty.....	17
Customer Service.....	18

Check that the unit has not been damaged during transport.



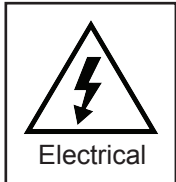
Read all cautions and warnings
prior to operation of this
equipment

Protection Against Fire



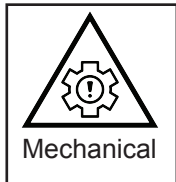
1. Maintain a minimum of 1 foot distance from any type of flame.
2. Fixture is designed for temporary outdoor use.
3. Do not install the unit too close to a heat source.
4. Make sure cables are properly secured.
5. Maximum surface operating temperature: 130°.
6. Make sure fixture lens are not pointing towards the sun or direct light input.

Protection Against Electrical Fire



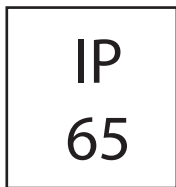
1. Disconnect power before servicing.
2. For connection to main power supply, proceed to page 4.
3. The power supply must be earthed (electronically grounded).
4. This fixture must not be left on for long periods of time.

Protection Against Mechanical Hazards



1. Use secondary safety chain when hanging unit.
2. Use quality clamps or bolts when positioning unit.
3. Do not open unit while it is on. Risk of electrical shock.

Ingress Protection



The IP rating is commonly expressed as IP (Ingress Protection) is followed by 2 numbers (i.e. 65) where the numbers define the fixture rating. The first number indicates the size of a particle that can enter the fixture. The second number indicates the extent of protection against water entering the fixture. An IP65 rating in this fixture indicates that dust particles can not enter the fixture, and there is protection against powerful water spray from entering the fixture from any direction.

What is Included

- 1pc Outerbot Wash 340 fixture
- 1pc Power Cable
- 2pc Quick Release Clamp Mount
- 1pc Safety Cable
- 1pc User Manual

Specifications

Part Numbers

Fixture

1313 - Outerbot Wash 340

Mechanical Specifications

Housing:	Die Cast Aluminum
IP Rating:	IP65
Fastening System:	Quick Release Clamp Mount, Bidirectional
Power Connection:	Seetronics SACX3FX IP 65 Panel Mount Connection Input
Signal Connection:	5 Pin XLR In and Out & Artnet RJ45 In and Out
Pan Movement:	540° (16 bit, 3 Phase Stepper Motor)
Tilt Movement:	220° (16 bit, 3 Phase Stepper Motor)
Zoom Angle:	7° Beam Angle to 33° Field Angle (16-bit)
Operating Temp:	-4°F - 113°F
Fuse:	Panel Mount Fuse (5x20mm T6.5A250V)

Electrical Specifications

7 Outer LED's

Light Source:	Seven 40W RGBW LED (16-bit Dimming)
Color Temp White:	8436K (White Emitter Only)
CRI: (Warm White)	73
Segments:	7
Lumen Output:	5654lm (Narrow) 3546lm (Wide)

1 Center LED:

Light Source:	One 60W RGBW LED
Color Temp White:	8380K
Prism:	Bi Directional, Speed Control

1 RGB Halo LED's:

Light Source:	68 RGB SMD LED
----------------------	----------------

Power Supply:	Electronic 100-240V AC 50/60
Power Consumption:	2.86 Amps / 338 Watts @120V
Control System:	
Control Protocols:	DMX 512, Artnet, sACN
RDM:	Yes
Channel Modes:	SSP 25CH, TOUR 30CH, TR16 37CH CMY 31CH, HSIC 27CH, PIXEL 52CH
Display:	Auto Flip Display

Main Power Connection

Caution!

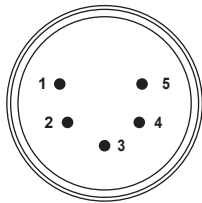
1. Do not connect fixture to a dimmer system.
2. This unit must be earthed. (Electronically grounded)
3. Replace fuse only with the specified type and rating. (F6.5A 250V)
4. This device is equipped with auto switching power supply that will allow the fixture to work from 100-240V AC 50/60Hz
5. Power Link max 6 units at 110V and 12 units at 220V

Cable USA	Cable EU	110V	220V
Black	Brown	Live	Live
White	Light Blue	Neutral	Live
Green	Yellow / Green	Ground	Ground

DMX-512 Connection

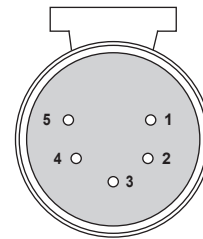
The fixture is equipped with 5 pin XLR Sockets for DMX input and output connection. The sockets are wired in parallel. Only use a shielded twisted pair cable designed for RS-485 and 5 pin XLR plugs and connectors in order to connect the controller with the fixture or the fixture with another.

DMX - Input



1.Shield (Grd)
2. Signal (-)
3. Signal (+)
N/A
N/A

DMX - Output



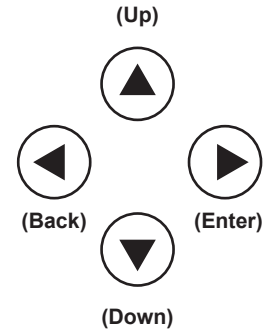
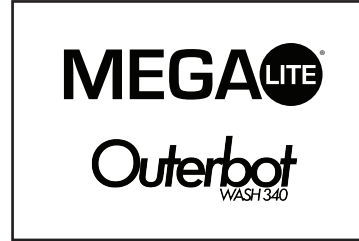
Caution!

On the last fixture the DMX signal needs to be terminated with a terminator. Pre-manufactured terminator are available for purchase from your Mega-Lite dealer item #P-DMX-T.

Display Control

Main Control

The control board on the fixture base is your interface to access and control all the functions on the unit. The LCD display gives you a code view of the options and functions. The following will explain each function.



<p>PASSWORD</p> <p>_____ _____ _____ _____</p>	<p>PASSWORD: To unlock the fixture display press and hold the Back ◀ Arrow. Use Password Up ▲ Down ▼ Up ▲ Down ▼ Enter ▶ to access the display settings. (Password requirements may be turned off in the Options menu under Display Lock setting)</p>
---	--

<p>Main Menu</p> <p>ADDRESS</p> <p>CHANNEL MODE</p> <p>RUN MODE</p> <p>OPTIONS</p>	<p>ADDRESS: Press Enter to view the fixture start Channel. Press Enter again to make adjustment to the fixture address using the up/down buttons. Press Enter to confirm or Mode to go back. The fixtures start address will need to match the DMX Controllers assigned DMX start channel.</p>
---	--

<p>Main Menu</p> <p>ADDRESS</p> <p>CHANNEL MODE</p> <p>RUN MODE</p> <p>OPTIONS</p>	<p>Channel Mode: Channel operating mode must match the DMX Controllers operating mode.</p> <p>HSIC: 27 Channel SSP: 25 Channel TOUR: 30 Channel TR16: 37 Channel PIXEL: 52 Channel CMY: 31 Channel</p>
---	---

<p>Main Menu</p> <p>ADDRESS</p> <p>CHANNEL MODE</p> <p>RUN MODE</p> <p>OPTIONS</p>	<p>RUN MODE: DMX512: Fixture connected via DMX signal ARTNET: Fixture connected via Artnet connection (check with controller manufacture for artnet set up) ARTNET TO DMX: Fixture connected via Artnet connection with DMX outputs engaged sACN: Fixture connected to controller via sACN signal AUTO: Fixture will run built in Pre Programs CUSTOM 1: Fixture will run program created on the Edit portion of the display setting (see page 7) CUSTOM 2: (Same as custom 1)</p>
---	--

Main Menu

ADDRESS

CHANNEL MODE

RUN MODE

OPTIONS

OPTIONS: Fixture Settings

PAN INVERT: Inverts heads Pan movement

TILT INVERT: Inverts heads Tilt movement

PERFORMANCE: Fixture cooling settings

STUDIO: LED Intensity will decrease fan noise at 45dB

POWER: LED Intensity at max fan always engaged

LIVE: Fan will engage as needed

BLACKOUT: LED will turn off when head is in motion

DIMMER: Dimming setting 0-4

LED PWM: LED Pulse Wave Modulation refresh settings

1200HZ-XFINE+-200

2400HZ-XFINE+-200

4000HZ

6000HZ

25000HZ

FULL POWER CCT: All LED emitters maximum default to full setting

3200K

4200K

5600K

10000K

NORMAL: No limitation

XY OFFSET: Show and Hide setting for the refresh frequency

DMX ERROR: If DMX Signal is lost fixture will either

Save: Hold the last DMX Command

Black: All DMX channels will be turn down to 0 value

DISPLAY ON: Display Time out setting

Off: Will leave display on

On: Will activate time out setting which will turn of display after inactivity

DISPLAY LOCK: Requires Password to open display setting

LOAD PARA: Fixture firmware update (manufacture setting)

SETTING: Fixture Clearing Settings

Recovery: Returns Fixture to original factory settings

Clean Edit 1: Erases Edit 1 Program setting

Clean Edit 2: Erases Edit 2 Program setting

NETWORK:

Net Switch: Network settings switch 2. or 10.

Universes: Sets fixture Universe 0-255

IP Mode: Sets Default IP Setting or Customized

PT ENCODER: Engages or Disengages Pan & Tilts encoder functions.

<p>Main Menu</p> <p>EDIT</p> <p>MANUAL</p> <p>INFO</p> <p>SERVICE</p>	<p>EDIT: Fixture Editor for programmed Scenes or Chase</p> <p>EDIT 1: Edit 1 or 2 can be played back on the Runmode section of the display control. under custom 1 or custome 2</p> <p>STEP: Select from a single step scene or multiple step chase. (1-30) Select fixture attributes that would like to be adjusted</p> <p>PAN: (0-255) TILT: (0-255) ZOOM: (0-255) RED WASH (0-255) GREEN WASH (0-255) BLUE WASH (0-255) WHITE WASH (0-255) STROBE (0-255) RED CENTER (0-255) GREEN CENTER (0-255) BLUE CENTER (0-255) WHITE CENTER (0-255) PRISM (0-255) RED RING (0-255) GREEN RING (0-255) BLUE RING (0-255) TIME (0-255 SECONDS) USE (YES/NO) ACTIVATE SCENE: SCENE NEEDS TO BE ACTIVATED TO BE PART OF THE SCENE OR CHASE</p>
--	---

<p>Main Menu</p> <p>EDIT</p> <p>MANUAL</p> <p>INFO</p> <p>SERVICE</p>	<p>MANUAL: Fixtures Manual Settings</p> <p>AUTO TEST: Runs fixture test for all functions</p> <p>CHANNEL: Gives control over every function via display</p> <p>DEBUG HIDE: Manufacture Setting</p> <p>RESET:</p> <p>ALL: All fixture function to be reset to home position</p> <p>PT: Pan & Tilt reset to home position</p>
--	--

<p>Main Menu</p> <p>EDIT</p> <p>MANUAL</p> <p>INFO</p> <p>SERVICE</p>	<p>INFO: Fixture Operating information</p> <p>FIXTURE HOURS: Gives control over every function via display</p> <p>LED USE HOURS: Manufacture Setting</p> <p>TEMPERATURE: Current fixtures operating internal temperature</p> <p>INFO: operating software version and update date</p>
--	---

<p>Main Menu</p> <p>EDIT</p> <p>MANUAL</p> <p>INFO</p> <p>SERVICE</p>	<p>SERVICE: Manufactures function adjustment setting (password protected)</p>
--	--

DMX Profile

Outerbot Wash 340

25 CH SSP	30 CH TOUR	37 CH TR16	Function	Description	Value	Init
1	1	1	Pan	Pan	0-255	127
		2	Pan Fine	Pan Fine	0-255	127
2	2	3	Tilt	Tilt	0-255	127
		4	Tilt Fine	Tilt Fine	0-255	127
3	3	5	Pan Tilt Speed	Pan & Tilt Speed (fast to slow)	0-255	0
4	4	6	LED Intensity	Red Wash	0-255	255
		7	LED Intensity	Red Wash Fine	0-255	127
5	5	8	LED Intensity	Green Wash	0-255	255
		9	LED Intensity	Green Wash Fine	0-255	127
6	6	10	LED Intensity	Blue Wash	0-255	255
		11	LED Intensity	Blue Wash Fine	0-255	127
7	7	12	LED Intensity	White Wash	0-255	255
		13	LED Intensity	White Wash Fine	0-255	127
8	8	14	Dimmer	Dimmer (off to full)	0-255	255
		15	Dimmer Fine	Dimmer Fine	0-255	127
				No Function	0-9	
				Strobe (slow to fast)	10-99	
9	9	16	Wash Strobe	No Function	100-109	0
				Lighting Strobe	110-179	
				No Function	180-189	
				Random Strobe	190-255	
				Open	0-10	
				Red 100% / Green Ramp Up / Blue 0%	11-30	
				Red Ramp Down / Green 100% / Blue 0%	31-50	
				Red 0% / Green 100% / Blue Ramp Up	51-70	
				Red 0% / Green Ramp Down / Blue Ramp Up	71-90	
				Red Ramp Up / Green 0% / Blue 100%	91-110	
				Red 100% / Green 0% / Blue Ramp Down	111-130	
				Red 100% / Green Ramp Up / Blue Ramp Up	131-150	
				Red Ramp Down / Green Ramp Down / Blue 100%	151-170	
				Full White	171-195	
	10	17	Wash Color Macro	1800K	196-199	0
				2200K	200-203	
				2700K	204-207	
				3000K	208-211	
				3200K	212-215	
				3500K	216-219	
				4000K	220-223	
				4200K	224-227	
				4500K	228-231	
				5600K	232-235	
				6000K	236-239	
				6500K	240-243	
				7200K	244-247	
				8000K	248-255	
				No Function	0-9	
				Pixel 1	10-15	
				Pixel 2	16-21	
				Pixel 3	22-27	
				Pixel 4	28-33	
				Pixel 5	34-39	
				Pixel 6	40-45	
				Pixel 7	46-51	0
				Pixel 1&2	52-57	
				Pixel 1&3	58-63	
				Pixel 1&4	64-69	
				Pixel 1&5	70-75	
				Pixel 1&6	76-81	
				Pixel 1&7	82-87	
				Pixel 2&3	88-93	
				Pixel 2&4	94-99	
				Pixel 2&5	100-105	
				Pixel 2&6	106-111	
				Pixel 2&7	112-117	
				Pixel 3&4	118-123	
	11	18	Wash Pixel	Pixel 3&5	124-129	0
				Pixel 3&6	130-135	
				Pixel 3&7	136-141	
				Pixel 4&5	142-147	
				Pixel 4&6	148-153	
				Pixel 4&7	154-159	
				Pixel 5&6	160-165	
				Pixel 5&7	166-171	
				Pixel 6&7	172-177	
				Pixel 1,2,3	178-183	
				Pixel 1,4,5	184-189	
				Pixel 1,6,7	190-195	
				Pixel 2,3,4	196-201	
				Pixel 5,6,7	202-207	
				Pixel 4,5,6	208-213	
				Pixel 7,2,3	214-219	
				Pixel 1,2,3,4	220-225	
				Pixel 1,5,6,7	226-231	
				Pixel 1,3,5,7	232-237	
				Pixel 3,4,5,6	238-243	
				Pixel 1,2,3,4,5	244-249	
				Pixel 1,4,5,6,7	250-255	
				Pixel 3,4,5,6,7	256-261	
				Pixel 1,2,3,4,5,6	262-267	
				Pixel 2,3,4,5,6	268-273	
				Pixel 1,2,3,5,6,7	274-279	
				Off	280-285	

				No Function	0-9	
				Macro 1 (led intensity must be activated)	10-13	
				Macro 2 (led intensity must be activated)	14-17	
				Macro 3 (led intensity must be activated)	18-21	
				Macro 4 (led intensity must be activated)	22-25	
				Macro 5 (led intensity must be activated)	26-29	
				Macro 6(led intensity must be activated)	30-33	
				Macro 7(led intensity must be activated)	34-37	
				Macro 8 (led intensity must be activated)	38-41	
				Macro 9 (led intensity must be activated)	42-45	
				Macro 10 (led intensity must be activated)	46-49	
				Macro 11(led intensity must be activated)	50-53	
				Macro 12 (led intensity must be activated)	54-57	
				Macro 13 (led intensity must be activated)	58-61	
				Macro 14 (led intensity must be activated)	62-65	
				Macro 15	66-69	
				Macro 16	70-73	
				Macro 17	74-77	
				Macro 18 (led intensity must be activated)	78-81	
				Macro 19	82-85	
				Macro 20	86-89	
				Macro 21	90-93	
				Macro 22 (led intensity must be activated)	94-97	
				Macro 23	98-101	
				Macro 24	102-105	
				Macro 25	106-109	
				Macro 26 (led intensity must be activated)	110-113	
				Macro 27	114-117	
	12	19	Wash Macro	Macro 28	118-121	
				Macro 30	122-125	0
				Macro 31(led intensity must be activated)	126-129	
				Macro 32	130-133	
				Macro 33	134-137	
				Macro 34	138-141	
				Macro 35 (led intensity must be activated)	142-145	
				Macro 36	146-149	
				Macro 37	150-153	
				Macro 38	154-157	
				Macro 39 (led intensity must be activated)	158-161	
				Macro 40	162-165	
				Macro 41	166-169	
				Macro 42	170-173	
				Macro 43 (led intensity must be activated)	174-177	
				Macro 44	178-181	
				Macro 45	182-185	
				Macro 46	186-189	
				Macro 47 (led intensity must be activated)	190-193	
				Macro 48	194-197	
				Macro 49	198-201	
				Macro 50	202-205	
				Macro 51 (led intensity must be activated)	206-209	
				Macro 52	210-215	
				Macro 53	216-221	
				Macro 54	222-227	
				Macro 55	228-230	
				Macro 56	231-233	
				Macro 57	234-236	
				Macro 58	237-239	
				Macro 59	240-242	
				Macro 60	243-245	
				Macro 61	246-248	
				Macro 62	249-251	
				Macro 63	252-254	
				Macro 64	255	
	13	20	Macro Speed	Macro Speed (slow to fast)	0-255	0
10	14	21	Zoom	Zoom (narrow to wide)	0-255	255
11	15	22	Center Intensity	Red Center	0-255	255
12	16	23	Center Intensity	Green Center	0-255	255
13	17	24	Center Intensity	Blue Center	0-255	255
14	18	25	Center Intensity	White Center	0-255	255
15	19	26	Center Dimmer	Dimmer Center	0-255	255
				No Function	0-9	
				Strobe (slow to fast)	10-99	
16	20	27	Center Strobe	No Function	100-109	0
				Lighting Strobe	110-179	
				No Function	180-189	
				Random Strobe	190-255	
				No Function	0-9	
				Center Macro 1	10-25	
				Center Macro 2	26-41	
				Center Macro 3	42-57	
				Center Macro 4	58-73	
				Center Macro 5	74-89	
				Center Macro 6	90-105	
				Center Macro 7	106-121	
	21	28	Center Color Macro	Center Macro 8	122-137	0
				Center Macro 9	138-153	
				Center Macro 10	154-169	
				Center Macro 11	170-185	
				Center Macro 12	186-201	
				Center Macro 13	202-217	
				Center Macro 14	218-233	
				Center Macro 15	234-255	
				Rotation Index	0-120	
				Stop	121-125	
				Prism Shake (slow to fast)	126-165	
17	22	29	Center Prism Rotation	Stop	166-170	0
				Prism Clockwise Rotation (fast to slow)	171-210	
				Stop	211-215	
				Prism Counter Clockwise Rotation (slow to fast)	216-255	

18	23	30	Ring Intensity	Red Ring	0-255	255
19	24	31	Ring Intensity	Green Ring	0-255	255
20	25	32	Ring Intensity	Blue Ring	0-255	255
				No Function	0-9	
				Red Ring	10-14	
				Green Ring	15-19	
				Blue Ring	20-24	
				Yellow Ring	25-29	
				Magenta Ring	30-34	
				Cyan Ring	35-39	
				White Ring	40-44	
				Violet Blue Ring	45-49	
				Light Blue Ring	50-54	
				Wine Red Ring	55-59	
				May Green Ring	60-64	
				Reseda Green Ring	65-69	
				Blue Lilac Ring	70-74	
				Moss Green Ring	75-79	
				Signal Violet Ring	80-84	
				Red Lilac Ring	85-89	
21	26	33	Ring Color Preset	Purple Red Ring	90-94	0
				Green Brown Ring	95-99	
				Pale Green Ring	100-104	
				Ruby Red Ring	105-109	
				Flame Red Ring	110-114	
				Red Orange Ring	115-119	
				Rose Ring	120-124	
				Honey Yellow Ring	125-129	
				Light Pink Ring	130-134	
				Deep Orange Ring	135-139	
				Lemmom Ring	140-144	
				Golden Ring	145-149	
				Pastel Orange Ring	150-154	
				Cream Ring	155-159	
				Melon Yellow Ring	160-164	
				Luminouse Orange Ring	165-169	
				Luminouse Yellow Ring	170-174	
				No Function	175-255	
				No Function	0-9	
				Ring Macro 1	10-23	
				Ring Macro 2	24-37	
				Ring Macro 3	38-51	
				Ring Macro 4	52-65	
				Ring Macro 5	66-79	
				Ring Macro 6	80-93	
				Ring Macro 7	94-107	
22	27	34	Ring Macro Effect	Ring Macro 8	108-121	
				Ring Macro 9	122-135	
				Ring Macro 10	136-149	
				Ring Macro 11	150-163	
				Ring Macro 12	164-177	
				Ring Macro 13	178-191	
				Ring Macro 14	192-205	
				Ring Macro 15	206-219	
				Ring Macro 16	220-233	
				Ring Macro 17	234-247	
				No Function	248-255	
23	28	35	Ring Macro Speed	Ring Macro Speed (slow to fast)	0-255	0
24	29	36	Ring Dimmer	Ring Dimmer	0-255	255
				No Function	0-9	
				Blackout Activated with Pan or Tilt	10-19	
				No Function	20-29	
				Dim 0	30-59	
				Dim 1	60-69	
				Dim 2	70-79	
				Dim 3	80-89	
				Dim 4	90-99	
				PWM 1200Hz	100-139	
25	30	37	Control (hold for 5 seconds)	PWM 2400Hz	140-149	0
				PWM 4000Hz	150-159	
				PWM 6000Hz	160-169	
				PWM 25000Hz	170-179	
				Cooling Mode Studio	180-189	
				Cooling Mode Power	190-199	
				Cooling Mode Live	200-219	
				All Functions Reset	220-229	
				Motor Functions Reset	230-239	
				No Function	240-255	

31 CH	Function	Description	Value	Init
1	Pan	Pan	0-255	127
2	Pan Fine	Pan Fine	0-255	127
3	Tilt	Tilt	0-255	127
4	Tilt Fine	Tilt Fine	0-255	127
5	Pan Tilt Speed	Pan & Tilt Speed (fast to slow)	0-255	0
6	LED Intensity	Cyan Intensity	0-255	255
7	LED Intensity	Magenta Intensity	0-255	255
8	LED Intensity	Yellow Intensity	0-255	255
9	Dimmer	Dimmer	0-255	255
10	Wash Strobe	No Function	0-9	0
		Strobe (slow to fast)	10-99	
		No Function	100-109	
		Lighting Strobe	110-179	
		No Function	180-189	
		Random Strobe	190-255	
		No Function	0-10	
		Cyan 100% / Magenta Ramp Up / Yellow 0%	11-30	
		Cyan Ramp Down / Magenta 100% / Yellow 0%	31-50	
		Cyan 0% / Magenta 100% / Blue Ramp Up	51-70	
		Cyan 0% / Magenta Ramp Down / Yellow Ramp Up	71-90	
		Cyan Ramp Up / Magenta 0% / Yellow 100%	91-110	
		Cyan 100% / Magenta 0% / Yellow Ramp Down	111-130	
		Cyan 100% / Magenta Ramp Up / Yellow Ramp Up	131-150	
		Cyan Ramp Down / Magenta Ramp Down / Yellow 100%	151-170	
11	Wash Color Macro	Full White	171-195	0
		1800K	196-199	
		2200K	200-203	
		2700K	204-207	
		3000K	208-211	
		3200K	212-215	
		3500K	216-219	
		4000K	220-223	
		4200K	224-227	
		4500K	228-231	
		5600K	232-235	
		6000K	236-239	
		6500K	240-243	
		7200K	244-247	
		8000K	248-255	
12	Wash Pixel	No Function	0-9	0
		Pixel 1	10-15	
		Pixel 2	16-21	
		Pixel 3	22-27	
		Pixel 4	28-33	
		Pixel 5	34-39	
		Pixel 6	40-45	
		Pixel 7	46-51	
		Pixel 1&2	52-57	
		Pixel 1&3	58-63	
		Pixel 1&4	64-69	
		Pixel 1&5	70-75	
		Pixel 1&6	76-81	
		Pixel 1&7	82-87	
		Pixel 2&3	91-95	
		Pixel 2&4	96-100	
		Pixel 2&5	101-105	
		Pixel 2&6	106-110	
		Pixel 2&7	111-115	
		Pixel 3&4	116-120	
		Pixel 3&5	121-125	
		Pixel 3&6	126-130	
		Pixel 3&7	131-135	
		Pixel 4&5	136-140	
		Pixel 4&6	141-145	
		Pixel 4&7	146-150	
		Pixel 5&6	151-155	
		Pixel 5&7	156-160	
		Pixel 6&7	161-165	
		Pixel 1,2,3	166-170	
Pixel 1,4,5	171-175			
Pixel 1,6,7	176-180			
Pixel 2,3,4	181-185			
Pixel 5,6,7	186-190			
Pixel 4,5,6	191-195			
Pixel 7,2,3	196-200			
Pixel 1,2,3,4	201-205			
Pixel 1,5,6,7	206-210			
Pixel 1,3,5,7	211-215			
Pixel 3,4,5,6	216-220			
Pixel 1,2,3,4,5	221-225			
Pixel 1,4,5,6,7	226-230			
Pixel 3,4,5,6,7	231-235			
Pixel 1,2,3,4,5,6	236-240			
Pixel 2,3,4,5,6	241-245			
Pixel 1,2,3,5,6,7	246-250			
Off	251-255			

		No Function	0-9	
		Macro 1 (led intensity must be activated)	10-13	
		Macro 2 (led intensity must be activated)	14-17	
		Macro 3 (led intensity must be activated)	18-21	
		Macro 4 (led intensity must be activated)	22-25	
		Macro 5 (led intensity must be activated)	26-29	
		Macro 6(led intensity must be activated)	30-33	
		Macro 7(led intensity must be activated)	34-37	
		Macro 8 (led intensity must be activated)	38-41	
		Macro 9 (led intensity must be activated)	42-45	
		Macro 10 (led intensity must be activated)	46-49	
		Macro 11(led intensity must be activated)	50-53	
		Macro 12 (led intensity must be activated)	54-57	
13	Wash Macro	Macro 13 (led intensity must be activated)	58-61	0
		Macro 14 (led intensity must be activated)	62-65	
		Macro 15	66-69	
		Macro 16	70-73	
		Macro 17	74-77	
		Macro 18 (led intensity must be activated)	78-81	
		Macro 19	82-85	
		Macro 20	86-89	
		Macro 21	90-93	
		Macro 22 (led intensity must be activated)	94-97	
		Macro 23	98-101	
		Macro 24	102-105	
		Macro 25	106-109	
		Macro 26 (led intensity must be activated)	110-113	
		Macro 27	114-117	
		Macro 28	118-121	
		Macro 30	122-125	
		Macro 31(led intensity must be activated)	126-129	
		Macro 32	130-133	
		Macro 33	134-137	
		Macro 34	138-141	
		Macro 35 (led intensity must be activated)	142-145	
		Macro 36	146-149	
		Macro 37	150-153	
		Macro 38	154-157	
		Macro 39 (led intensity must be activated)	158-161	
		Macro 40	162-165	
		Macro 41	166-169	
		Macro 42	170-173	
		Macro 43 (led intensity must be activated)	174-177	
		Macro 44	178-181	
		Macro 45	182-185	
		Macro 46	186-189	
		Macro 47 (led intensity must be activated)	190-193	
		Macro 48	194-197	
		Macro 49	198-201	
		Macro 50	202-205	
		Macro 51 (led intensity must be activated)	206-209	
		Macro 52	210-215	
		Macro 53	216-221	
		Macro 54	222-227	
		Macro 55	228-230	
		Macro 56	231-233	
		Macro 57	234-236	
		Macro 58	237-239	
		Macro 59	240-242	
		Macro 60	243-245	
		Macro 61	246-248	
		Macro 62	249-251	
		Macro 63	252-254	
		Macro 64	255	
14	Macro Speed	Macro Speed (slow to fast)	0-255	0
15	Zoom	Zoom (narrow to wide)	0-255	255
16	Center Intensity	Red Center	0-255	255
17	Center Intensity	Green Center	0-255	255
18	Center Intensity	Blue Center	0-255	255
19	Center Intensity	White Center	0-255	255
20	Center Dimmer	Dimmer Center	0-255	255
21	Center Strobe	No Function	0-9	0
		Strobe (slow to fast)	10-99	
		No Function	100-109	
		Lighting Strobe	110-179	
		No Function	180-189	
		Random Strobe	190-255	
		No Function	0-9	
		Center Macro 1	10-25	
		Center Macro 2	26-41	
		Center Macro 3	42-57	
		Center Macro 4	58-73	
		Center Macro 5	74-89	
		Center Macro 6	90-105	
		Center Macro 7	106-121	
		22	Center Color Macro	
Center Macro 9	138-153			
Center Macro 10	154-169			
Center Macro 11	170-185			
Center Macro 12	186-201			
Center Macro 13	202-217			
Center Macro 14	218-233			
Center Macro 15	234-255			

		Rotation Index	0-120	
		Stop	121-125	
		Prism Shake (slow to fast)	126-165	
23	Center Prism Rotation	Stop	166-170	0
		Prism Clockwise Rotation (fast to slow)	171-210	
		Stop	211-215	
		Prism Counter Clockwise Rotation (slow to fast)	216-255	
24	Ring Intensity	Red Ring	0-255	255
25	Ring Intensity	Green Ring	0-255	255
26	Ring Intensity	Blue Ring	0-255	255
		No Function	0-9	
		Red Ring	10-14	
		Green Ring	15-19	
		Blue Ring	20-24	
		Yellow Ring	25-29	
		Magenta Ring	30-34	
		Cyan Ring	35-39	
		White Ring	40-44	
		Violet Blue Ring	45-49	
		Light Blue Ring	50-54	
		Wine Red Ring	55-59	
		May Green Ring	60-64	
		Reseda Green Ring	65-69	
		Blue Lilac Ring	70-74	
		Moss Green Ring	75-79	
		Signal Violet Ring	80-84	
		Red Lilac Ring	85-89	
27	Ring Color Preset	Purple Red Ring	90-94	0
		Green Brown Ring	95-99	
		Pale Green Ring	100-104	
		Ruby Red Ring	105-109	
		Flame Red Ring	110-114	
		Red Orange Ring	115-119	
		Rose Ring	120-124	
		Honey Yellow Ring	125-129	
		Light Pink Ring	130-134	
		Deep Orange Ring	135-139	
		Lemmon Ring	140-144	
		Golden Ring	145-149	
		Pastel Orange Ring	150-154	
		Cream Ring	155-159	
		Melon Yellow Ring	160-164	
		Luminouse Orange Ring	165-169	
		Luminouse Yellow Ring	170-174	
		No Function	175-255	
		No Function	0-9	
		Ring Macro 1	10-23	
		Ring Macro 2	24-37	
		Ring Macro 3	38-51	
		Ring Macro 4	52-65	
		Ring Macro 5	66-79	
		Ring Macro 6	80-93	
		Ring Macro 7	94-107	
28	Ring Macro Effect	Ring Macro 8	108-121	
		Ring Macro 9	122-135	
		Ring Macro 10	136-149	
		Ring Macro 11	150-163	
		Ring Macro 12	164-177	
		Ring Macro 13	178-191	
		Ring Macro 14	192-205	
		Ring Macro 15	206-219	
		Ring Macro 16	220-233	
		Ring Macro 17	234-247	
		No Function	248-255	
29	Ring Macro Speed	Ring Macro Speed (slow to fast)	0-255	0
30	Ring Dimmer	Ring Dimmer	0-255	255
		No Function	0-9	
		Blackout Activated with Pan or Tilt	10-19	
		No Function	20-29	
		Dim 0	30-59	
		Dim 1	60-69	
		Dim 2	70-79	
		Dim 3	80-89	
		Dim 4	90-99	
		PWM 1200Hz	100-139	
31	Control (hold for 5 seconds)	PWM 2400Hz	140-149	0
		PWM 4000Hz	150-159	
		PWM 6000Hz	160-169	
		PWM 25000Hz	170-179	
		Cooling Mode Studio	180-189	
		Cooling Mode Power	190-199	
		Cooling Mode Live	200-219	
		All Functions Reset	220-229	
		Motor Functions Reset	230-239	
		No Function	240-255	

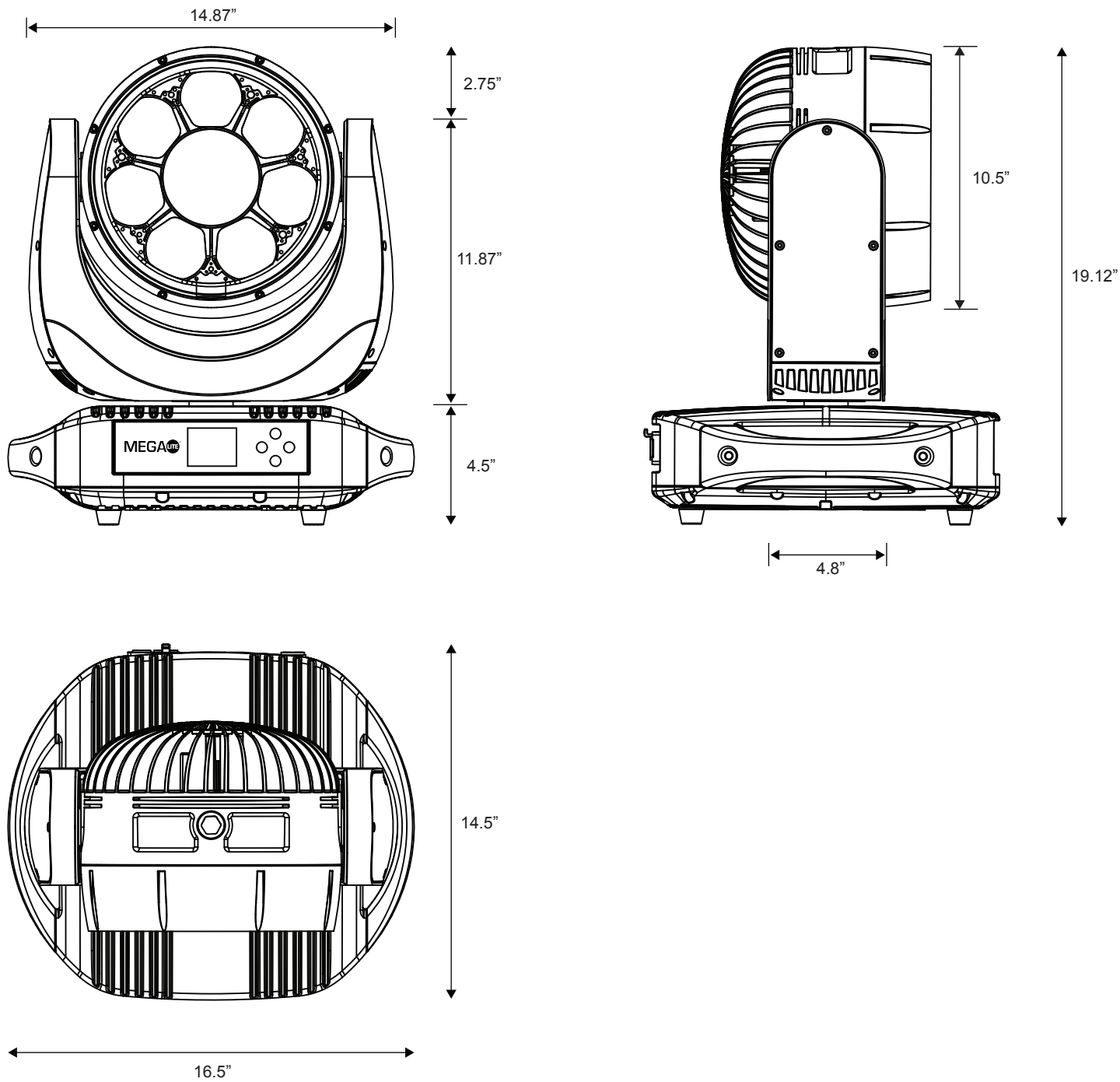
52 CH PIXEL	Function	Description	Value	Init
1	Pan	Pan	0-255	127
2	Pan Fine	Pan Fine	0-255	127
3	Tilt	Tilt	0-255	127
4	Tilt Fine	Tilt Fine	0-255	127
5	Pan Tilt Speed	Pan & Tilt Speed (fast to slow)	0-255	0
6	Zoom	Zoom (narrow to wide)	0-255	255
7	Center Dimmer	Center Dimmer	0-255	255
8	Center Strobe	No Function	0-9	0
		Strobe (slow to fast)	10-99	
		No Function	100-109	
		Lighting Strobe	110-179	
		No Function	180-189	
Random Strobe	190-255			
9	Center Intensity	Red Center	0-255	255
10	Center Intensity	Green Center	0-255	255
11	Center Intensity	Blue Center	0-255	255
12	Center Intensity	White Center	0-255	255
13	Center Color Macro	No Function	0-9	0
		Center Macro 1	10-25	
		Center Macro 2	26-41	
		Center Macro 3	42-57	
		Center Macro 4	58-73	
		Center Macro 5	74-89	
		Center Macro 6	90-105	
		Center Macro 7	106-121	
		Center Macro 8	122-137	
		Center Macro 9	138-153	
		Center Macro 10	154-169	
		Center Macro 11	170-185	
		Center Macro 12	186-201	
		Center Macro 13	202-217	
		Center Macro 14	218-233	
Center Macro 15	234-255			
14	Center Prism Rotation	Rotation Index	0-120	0
		Stop	121-125	
		Prism Shake (slow to fast)	126-165	
		Stop	166-170	
		Prism Clockwise Rotation (fast to slow)	171-210	
Stop	211-215			
Prism Counter Clockwise Rotation (slow to fast)	216-255			
15	Ring Intensity	Red Ring	0-255	255
16	Ring Intensity	Green Ring	0-255	255
17	Ring Intensity	Blue Ring	0-255	255
18	Ring Color Preset	No Function	0-9	0
		Red Ring	10-14	
		Green Ring	15-19	
		Blue Ring	20-24	
		Yellow Ring	25-29	
		Magenta Ring	30-34	
		Cyan Ring	35-39	
		White Ring	40-44	
		Violet Blue Ring	45-49	
		Light Blue Ring	50-54	
		Wine Red Ring	55-59	
		May Green Ring	60-64	
		Reseda Green Ring	65-69	
		Blue Lilac Ring	70-74	
		Moss Green Ring	75-79	
		Signal Violet Ring	80-84	
		Red Lilac Ring	85-89	
		Purple Red Ring	90-94	
		Green Brown Ring	95-99	
		Pale Green Ring	100-104	
Ruby Red Ring	105-109			
Flame Red Ring	110-114			
Red Orange Ring	115-119			
Rose Ring	120-124			
Honey Yellow Ring	125-129			
Light Pink Ring	130-134			
Deep Orange Ring	135-139			
Lemmom Ring	140-144			
Golden Ring	145-149			
Pastel Orange Ring	150-154			
Cream Ring	155-159			
Melon Yellow Ring	160-164			
Luminouse Orange Ring	165-169			
Luminouse Yellow Ring	170-174			
No Function	175-255			

		No Function	0-9	
		Ring Macro 1	10-23	
		Ring Macro 2	24-37	
		Ring Macro 3	38-51	
		Ring Macro 4	52-65	
		Ring Macro 5	66-79	
		Ring Macro 6	80-93	
		Ring Macro 7	94-107	
19	Ring Macro Effect	Ring Macro 8	108-121	0
		Ring Macro 9	122-135	
		Ring Macro 10	136-149	
		Ring Macro 11	150-163	
		Ring Macro 12	164-177	
		Ring Macro 13	178-191	
		Ring Macro 14	192-205	
		Ring Macro 15	206-219	
		Ring Macro 16	220-233	
		Ring Macro 17	234-247	
		No Function	248-255	
20	Ring Macro Speed	Ring Macro Speed (slow to fast)	0-255	0
21	Ring Dimmer	Ring Dimmer	0-255	255
		No Function	0-9	
		Blackout Activated with Pan or Tilt	10-19	
		No Function	20-29	
		Dim 0	30-59	
		Dim 1	60-69	
		Dim 2	70-79	
		Dim 3	80-89	
		Dim 4	90-99	
22	Control (hold for 5 seconds)	PWM 1200Hz	100-139	0
		PWM 2400Hz	140-149	
		PWM 4000Hz	150-159	
		PWM 6000Hz	160-169	
		PWM 25000Hz	170-179	
		Cooling Mode Studio	180-189	
		Cooling Mode Power	190-199	
		Cooling Mode Live	200-219	
		All Functions Reset	220-229	
Motor Functions Reset	230-239			
		No Function	240-255	
23	Wash Dimmer	Wash Dimmer	0-255	255
		No Function	0-9	
24	Wash Strobe	Strobe (slow to fast)	10-99	0
		No Function	100-109	
		Lighting Strobe	110-179	
		No Function	180-189	
		Random Strobe	190-255	
25	Wash Pixel	Segment 1 Red	0-255	0
26	Wash Pixel	Segment 1 Green	0-255	0
27	Wash Pixel	Segment 1 Blue	0-255	0
28	Wash Pixel	Segment 1 White	0-255	0
29	Wash Pixel	Segment 2 Red	0-255	0
30	Wash Pixel	Segment 2 Green	0-255	0
31	Wash Pixel	Segment 2 Blue	0-255	0
32	Wash Pixel	Segment 2 White	0-255	0
33	Wash Pixel	Segment 3 Red	0-255	0
34	Wash Pixel	Segment 3 Green	0-255	0
35	Wash Pixel	Segment 3 Blue	0-255	0
36	Wash Pixel	Segment 3 White	0-255	0
37	Wash Pixel	Segment 4 Red	0-255	0
38	Wash Pixel	Segment 4 Green	0-255	0
39	Wash Pixel	Segment 4 Blue	0-255	0
40	Wash Pixel	Segment 4 White	0-255	0
41	Wash Pixel	Segment 5 Red	0-255	0
42	Wash Pixel	Segment 5 Green	0-255	0
43	Wash Pixel	Segment 5 Blue	0-255	0
44	Wash Pixel	Segment 5 White	0-255	0
45	Wash Pixel	Segment 6 Red	0-255	0
46	Wash Pixel	Segment 6 Green	0-255	0
47	Wash Pixel	Segment 6 Blue	0-255	0
48	Wash Pixel	Segment 6 White	0-255	0
49	Wash Pixel	Segment 7 Red	0-255	0
50	Wash Pixel	Segment 7 Green	0-255	0
51	Wash Pixel	Segment 7 Blue	0-255	0
52	Wash Pixel	Segment 7 White	0-255	0

27 CH HSIC	Function	Description	Value	Init
1	Pan	Pan	0-255	127
2	Pan Fine	Pan Fine	0-255	127
3	Tilt	Tilt	0-255	127
4	Tilt Fine	Tilt Fine	0-255	127
5	Pan Tilt Speed	Pan & Tilt Speed (fast to slow)	0-255	0
6	Intensity	Intensity	0-255	255
7	Hue	Hue	0-255	255
8	Hue Fine	Hue Fine	0-255	127
9	Saturation	Saturation	0-255	255
		No Function	0-10	
		1800K	11-28	
		2200K	29-46	0
		2700K	47-64	
		3000K	65-82	
		3200K	83-100	
		3500K	101-118	
10	CCT	4000K	119-136	
		4200K	137-154	
		4500K	155-172	
		5600K	173-190	
		6000K	191-208	
		6500K	209-226	
		7200K	227-244	
		8000K	245-255	
		No Function	0-9	
		Strobe (slow to fast)	10-99	
11	Wash Strobe	No Function	100-109	0
		Lighting Strobe	110-179	
		No Function	180-189	
		Random Strobe	190-255	
12	Zoom	Zoom (narrow to wide)	0-255	255
13	Center Intensity	Red Center	0-255	255
14	Center Intensity	Green Center	0-255	255
15	Center Intensity	Blue Center	0-255	255
16	Center Intensity	White Center	0-255	255
17	Center Dimmer	Dimmer Center	0-255	255
		No Function	0-9	
		Strobe (slow to fast)	10-99	
18	Center Strobe	No Function	100-109	0
		Lighting Strobe	110-179	
		No Function	180-189	
		Random Strobe	190-255	
		Rotation Index	0-120	
		Stop	121-125	
		Prism Shake (slow to fast)	126-165	
19	Center Prism Rotation	Stop	166-170	0
		Prism Clockwise Rotation (fast to slow)	171-210	
		Stop	211-215	
		Prism Counter Clockwise Rotation (slow to fast)	216-255	
20	Ring Intensity	Red Ring	0-255	255
21	Ring Intensity	Green Ring	0-255	255
22	Ring Intensity	Blue Ring	0-255	255
		No Function	0-9	
		Red Ring	10-14	
		Green Ring	15-19	
		Blue Ring	20-24	
23	Ring Color Preset	Yellow Ring	25-29	0
		Magenta Ring	30-34	
		Cyan Ring	35-39	
		White Ring	40-44	
		Violet Blue Ring	45-49	
		Light Blue Ring	50-54	

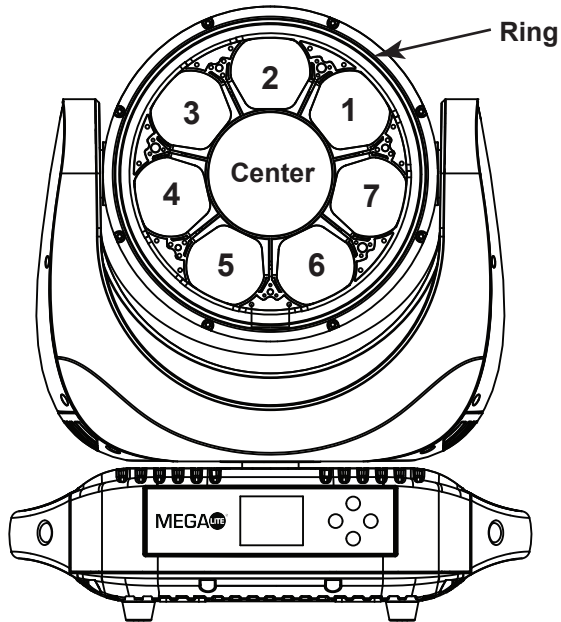
		Wine Red Ring	55-59	
		May Green Ring	60-64	
		Reseda Green Ring	65-69	
		Blue Lilac Ring	70-74	
		Moss Green Ring	75-79	
		Signal Violet Ring	80-84	
		Red Lilac Ring	85-89	
		Purple Red Ring	90-94	
		Green Brown Ring	95-99	
		Pale Green Ring	100-104	
		Ruby Red Ring	105-109	
23	Ring Color Preset	Flame Red Ring	110-114	0
		Red Orange Ring	115-119	
		Rose Ring	120-124	
		Honey Yellow Ring	125-129	
		Light Pink Ring	130-134	
		Deep Orange Ring	135-139	
		Lemmom Ring	140-144	
		Golden Ring	145-149	
		Pastel Orange Ring	150-154	
		Cream Ring	155-159	
		Melon Yellow Ring	160-164	
		Luminouse Orange Ring	165-169	
		Luminouse Yellow Ring	170-174	
		No Function	175-255	
		No Function	0-9	
		Ring Macro 1	10-23	
		Ring Macro 2	24-37	
		Ring Macro 3	38-51	
		Ring Macro 4	52-65	
		Ring Macro 5	66-79	
		Ring Macro 6	80-93	
		Ring Macro 7	94-107	
24	Ring Macro Effect	Ring Macro 8	108-121	
		Ring Macro 9	122-135	
		Ring Macro 10	136-149	
		Ring Macro 11	150-163	
		Ring Macro 12	164-177	
		Ring Macro 13	178-191	
		Ring Macro 14	192-205	
		Ring Macro 15	206-219	
		Ring Macro 16	220-233	
		Ring Macro 17	234-247	
		No Function	248-255	
25	Ring Macro Speed	Ring Macro Speed (slow to fast)	0-255	0
26	Ring Dimmer	Ring Dimmer	0-255	255
		No Function	0-9	
		Blackout Activated with Pan or Tilt	10-19	
		No Function	20-29	
		Dim 0	30-59	
		Dim 1	60-69	
		Dim 2	70-79	
		Dim 3	80-89	
		Dim 4	90-99	
27	Control (hold for 5 seconds)	PWM 1200Hz	100-139	0
		PWM 2400Hz	140-149	
		PWM 4000Hz	150-159	
		PWM 6000Hz	160-169	
		PWM 25000Hz	170-179	
		Cooling Mode Studio	180-189	
		Cooling Mode Power	190-199	
		Cooling Mode Live	200-219	
		All Functions Reset	220-229	
		Motor Functions Reset	230-239	
		No Function	240-255	

Size and Weight



Fixture Size:	16.5" X 14.5" X 19.12"
Fixture Weight:	56lb (25.40 kg)
Packaged Size:	21" X 18.5" X 23.5"
Packaged Weight:	57.5lb 26.08 kg

Segment



Pan & Tilt:

DMX Values: 0

Installation

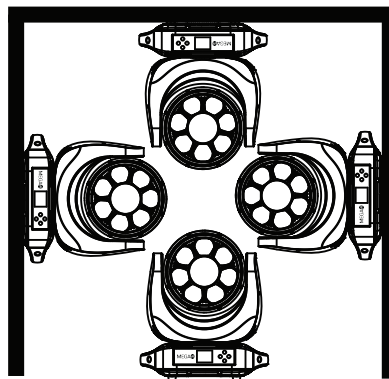
Caution!

1. The Installation must be carried out by an authorized dealer or trained professional.
2. Unit may cause severe injuries, if you have doubts concerning the safety do not install.
3. Unit is to be 24 inches away from flammable materials.
4. Use high quality installation equipment to hang the unit.
5. Internal Fan Filters must be cleaned periodically as not to block airflow.

When rigging the it is very important that you follow common safety procedures. Rigging requires extensive experience including but not limited to calculating working weight loads, material being used and periodic safety inspections. If you lack these qualifications, do not attempt the installation yourself, instead use a professional structural rigger.

When rigging the unit always be secure with a secondary safety attachment. The installation location of the fixture has got to be built in the way that it can hold ten times the weight for one hour with out any failures. Installation should be checked at least one time a year by a skilled professional.

Unit Can be used in any of these directions



General Terms & Conditions

1. All resellers must have approved and signed Reseller Application on file, including their respective state tax information and W-9. Applications are re-evaluated on a fiscal calendar year basis to assure business integrity and tax status.
2. Cash, check, cashiers check, ACH, wire transfer, MasterCard, Visa, Discover, and American Express are accepted forms of payment.
3. Past due invoices will be charged 1.5% per month finance charge. Uncollected invoices are subject to be turned over to collection.
4. The reseller will pay all reasonable expenses incurred in the course of collections.
5. The proper venue for litigation will be Bexar County, Texas.
6. Returned checks will be charged a \$50.00 fee.
7. All prices are in U.S. Dollars.
8. All prices and specifications are subject to change without notice, sales order confirmations are emailed and will reflect correct pricing.
9. All terms are insured, monitored, analyzed and approved by Coface USA. Changes in credit line and approved terms can change without notice. Company authorization of credit is based on Coface approvals. Any conflicts or disagreements should be referred to: 650 College Rd East Suite 2005 Princeton, NJ 08540. 1-609-469-0400. E-mail: cofaceusa@coface.com
10. Returns are subject to 25% restocking charge plus any necessary charges for repair or re-packaging.

Shipping Terms & Conditions

1. All orders are EXW San Antonio, TX (EXW means that a buyer/reseller incurs the risks for bringing the goods to their final destination) any deviation needs to be done in writing.
2. UPS ground shipping is the preferred shipping method. Requests for specific carriers may require use of the customer's account number and may incur an additional charge for handling.
3. Drop shipments are subject to all return charges at resellers expense. Drop shipments are not allowed outside of the territorial United States.
4. NO C.O.D. shipments allowed.
5. Returned and undelivered shipment charges are the buyer/resellers responsibility and will be billed to the buyer/reseller.
6. The freight carrier and Company shipping@mega.lighting should be notified upon receipt of damaged freight, discrepancies, or non-conformities within 24 hours. Company can assist in making claims with carriers or agents in the event of any loss or damage.
7. Upon acceptance in good order by Carrier from Company, the material becomes the property of the Reseller.

Warranty and Service Procedures

1. All returns require an RMA# (Return Merchandise Authorization number) before returning goods for any reason. For a service or warranty RMA, please email service@mega.lighting or call (210)684-2600. For sales or demo returns, please contact sales@mega.lighting.
2. Case will be created and an RMA notice will be emailed. All units received must have the RMA # included with the unit as well as on the shipping label.
3. All shipping charges are the responsibility of the customer: MEGA Systems, Inc., Service, 18668 HWY 16 N., Helotes, TX 78023

Warranty for Products Purchased Before 2021

Unless otherwise stated in writing, product is covered by a one year parts and labor limited warranty and is subject to same limitations listed under the limited warranty exclusions listed below.

Warranty for Products Purchased After January 1, 2021

MEGA SYSTEMS INC ("MSI") hereby warrants to the original purchaser/owner (Customer"), MSI products to be free of manufacturing defects in material and workmanship, for the warranty periods as defined below from the original purchase invoice date. This warranty applies exclusively to new MSI branded and/or distributed products listed below, purchased from an MSI AUTHORIZED dealer/reseller. This warranty is not transferrable and may or may not apply to products sold and/or forwarded outside the United States. Please contact MSI for applicable regional product warranty information.

The purchase of MSI product constitutes the Customer's acceptance of all warranty terms and conditions as listed in this limited warranty statement. This warranty provides the Customer with legal rights, which may vary from state to state. Please contact MSI regarding warranty questions prior to purchasing.

Product / Series	Warranty Period	Coverage
Battery Powered LED	Six month battery, one year all other components	1, 2
Moving LED, Hazers	One Year	2
Outdoor IP-Rated LED	Two Years	3
House Light LED, Decorative LED, Compact LED, iCandy LED, Theatrical LED, Strobe Wash LED, Follow Spot LED, Production & House of Worship Control, Architectural Control, Theatrical Control, Dance Venue & Mobile DJ Control, Direct View LED Displays, and MV Controllers	Three Years	4

1. Battery: 183 days/six months 2. Parts and Labor: 365 days/one year 3. Parts and Labor: 730 days/two years 4. Parts and Labor: 1095 days/three years

This limited warranty excludes any defects caused by, resulting from, or relating to the following:

- Normal wear and tear of lamps, color media, brushes, contact rings, lamp sockets, belts and other parts prone to wear and tear.
- Misuse, abuse, improper handling, accident, alteration or attempts to repair by or on behalf of the owner or any person not authorized by MSI.
- Damage to the product resulting from acts of God, including but not limited to, earthquakes, hurricanes, tornadoes, lightning and other natural disasters, fire, explosion, flood, riots, civil disorder or any other cause beyond the reasonable control of MSI.
- Exposure to harsh or excessively corrosive environmental conditions (whether indoors or outdoors) including, but not limited to, extreme temperature, humidity, atmospheric conditions (including salinity or pressure), radiation (UV, infrared or nuclear), shock and conditions which exceed the product's Ingress Protection ("IP") rating.
- Use of the product in a manner which exceeds the applicable product specification, including, but not limited to, exposure to excessive, insufficient, or other voltage conditions.
- Installation or use of the product not in accordance with the technical documentation, MSI guidelines (as may be posted on its website at www.megasystemsinc.com from time to time or otherwise designated by MSI or its brands) or applicable building and electrical codes, regulations, and standards.
- Failure to maintain the product in accordance with the technical documentation.
- Natural degradation and color shift of the LED source over the course of normal product use.
- Slight deviations in the specified values of intensity and color that do not affect the functionality of the product.
- Use of the product not for its intended purpose.

All warranty claims are evaluated under the terms of this limited warranty. If a product falls within the warranty period and if, upon examination by MSI, it is found to have failed for a covered cause, MSI will, at its sole discretion, repair or replace the defective part or product or reimburse the purchaser a pro-rated portion of the purchase price based on the percentage of the warranty period still remaining as of the date that the returned product was received by MSI. Should a replacement part or product be discontinued or unavailable, MSI reserves the right, in its sole and absolute discretion, to substitute a comparable replacement part or product for the defective part of product. MSI warranty obligation herunder is limited solely to the repair or replacement of or reimbursement for the particular parts or products determined by MSI to have failed for a covered cause within the warranty period. In no event shall MSI be responsible to replace or reimburse purchaser for any products or portions of a system that MSI determines has not failed for a covered cause within the warranty period, even if such other products or portions of a system are used together with products being repaired or replaced by MSI under this warranty and the repaired product differs in brightness, colors or any other attribute after the repair.

Costs of removal, shipping to MSI or its authorized representative and reinstallation are solely the responsibility of the purchaser. If MSI determines that the product is covered by this limited warranty, it will only pay for parts and labor as indicated by product type. If MSI determines that the product is not covered by this limited warranty, the purchaser will have the option of paying for the repair if the product can be repaired and the purchaser shall be responsible for the cost of shipping the repaired product back to the purchaser. MSI reserves the right, in its sole and absolute discretion, to decline any repair.

IN NO EVENT SHALL MEGA SYSTEMS, INC. BE LIABLE FOR ANY INCIDENTAL, CONSEQUENTIAL, SPECIAL, INDIRECT OR PUNITIVE LOSS OR DAMAGE OF ANY KIND, INCLUDING, BUT NOT LIMITED TO, LOSS OF PROFITS OR REVENUES, LOSS OF USE OF THE PRODUCT OR ANY OTHER GOODS OR ASSOCIATED EQUIPMENT, DAMAGE TO ANY ASSOCIATED EQUIPMENT, COST OF CAPITAL, COST OF SUBSTITUTE PRODUCTS, FACILITIES OR SERVICES, DOWN TIME COST, INSTALLATION OR LABOR COSTS, OR CLAIMS OF THE PURCHASER'S CUSTOMERS, WHETHER BASED ON WARRANTY, CONTRACT OR NEGLIGENCE, ARISING IN CONNECTION WITH THE SALE, USE OR REPAIR OF THE PRODUCT. MEGA SYSTEMS INC'S MAXIMUM LIABILITY SHALL NOT, IN ANY CASE, EXCEED THE PURCHASE PRICE OF THE PRODUCT THAT GIVES RISE TO THE CLAIM.

EXCEPT FOR THE LIMITED WARRANTY SET FORTH HEREIN, ALL PRODUCTS SOLD BY MEGA SYSTEMS, INC. ARE SOLD "AS IS" WITHOUT ANY WARRANTY, EXPRESS, OR IMPLIED, STATUTORY OR OTHERWISE, INCLUDING, BUT NOT LIMITED TO, IMPLIED WARRANTIES OR MERCHANTABILITY AND FITNESS FOR A PARTICULAR PURPOSE, ALL OF WHICH ARE EXPRESSLY AND SPECIFICALLY DISCLAIMED BY MEGA SYSTEMS, INC.

Customer Support

MEGA-Lite has a customer support line to provide set-up help and to answer any questions should you encounter a problem. Please visit our website for any other related technical documents. For service related issues, please contact our service department.

Monday - Friday 9am to 6pm CST
(210)684-2600
Service@mega.lighting

Manual Version

Please visit www.mega.lighting for the most up-to-date manual version.

Manual Version	Date	Fixture Software	Notes
2.0	03/23/2023	1.0.0	



MEGA-LITE
18668 Highway 16N
Helotes, TX 78023
Phone (210)684-2600 / Fax (210)855-6279
www.mega.lighting / info@mega.lighting