

EB1

MEGALITE®
PRODUCT SPECIFICATION SHEET

DESCRIPTION



The EB1 features 1 X Appotronics 200W LED that offers a large aperture and 14 bi-directional colors +open that can produce bright colorful combinations. The 1° beam angle creates piercing projections, ideal for mid to large applications. In addition, the moving head provides 48 SMD 3535 LEDs on the outer FX ring. The RGB halo has 16 RGB segments of control that add a unique bright halo effect. The segments can be broken up or used in unison to create a smooth gradient look.

With a compact and lightweight design, the EB1 offers multiple features that allow lighting designers to expand their creativity. It includes 12 fixed + open static gobos and an 8-facet indexing prism that further enhances the beam and gobo effects. In addition it has a 0.3-20 per second strobe, one frost filter and linear focus to create a soft or sharp projection. The EB1 is the fixture you need in your lighting tool chest.



LARGE LED APERTURE

The EB1 features 1 X Appotronics 200W LED that offers a large aperture, allowing for a large beam effect.



RGB HALO

The moving head provides 48 SMD 3535 LEDs on the outer ring. The RGBW halo has 16 RGB segments of control that add a unique bright halo effect. The segments can be broken up or used in unison to create a smooth gradient look.



MULTIPLE EFFECTS

Although compact and lightweight the unit includes 4 bi-directional colors +open, 12 fixed + open static gobos and an 8-facet indexing prism. In addition, it has a 0.3-20 per second strobe, one frost filter and linear focus to create a soft or sharp projection.

SOURCE

- LED TYPE: 1 X APPOTRONICS 200W LED | 48 SMD 3535 LEDs (RING)

OPTICAL SYSTEM

- LENS ANGLE: 1°
- LUMEN @ FULL: 3963 Lm

EFFECTS

- RGB HALO: 16 SEGMENTS OF CONTROL
- PRISM: 8 FACET INDEXING PRISM
- FROST: 1 FROST FILTER
- FOCUS: LINEAR FOCUS
- COLOR WHEEL: 14 COLORS + OPEN, BI-DIRECTION
- STATIC GOBO: 12 FIXED + OPEN
- STROBE: 0.3-20 PER SECOND
- COLOR TEMP: 8313K

CONTROL & PROGRAMMING

- DISPLAY: LCD DISPLAY
- PROTOCOL: DMX 512
- DMX CHANNELS: 2 CHANNEL MODE

MOVEMENT

- PAN: 540° (16 BIT, 3 PHASE STEPPER MOTOR)
- TILT: 270° (16 BIT, 3 PHASE STEPPER MOTOR)

THERMAL & RATINGS

- MAX SURFACE TEMP: 54°C (130°F)
- MAX OPERATING TEMP: 54°C (130°F)

ELECTRICAL & CONNECTIONS

- POWER CONNECTION: POWER CON TYPE IN & OUT
- DMX CONNECTORS: 3 & 5 PIN XLR CONNECTORS
- POWER SUPPLY: ELECTRONIC 100-240V AC 50/60
- POWER CONSUMPTION: 295 WATTS | 2.48 AMPS @ 110V

RIGGING:

- INSTALLATION SYSTEM: BY DIRECTIONAL QUICK RELEASE CLAMP MOUNT

ORDERING INFO:

- EB1 1230

ACCESSORIES:

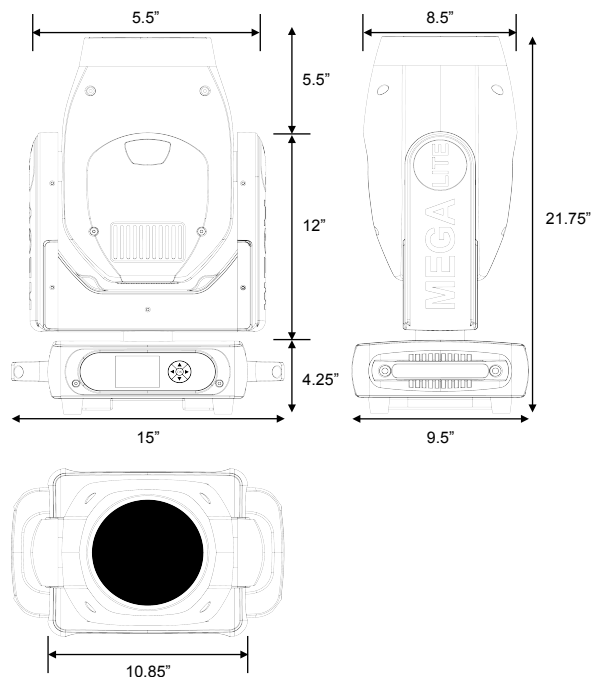
- 4 UNIT ROAD CASE CAS-1181-2

INCLUDED ITEMS:

- QUICK RELEASE CLAMP MOUNTS 1210-HOU-QUI
- POWER CABLE

DIMENSIONS:

- FIXTURE SIZE: 15" X 9.5" X 21.75"
- FIXTURE WEIGHT: 35lb (15.87 kg)
- PACKAGED SIZE: 24.75" X 18.5" X 13"
- PACKAGED WEIGHT: 38lb (17.24 kg)

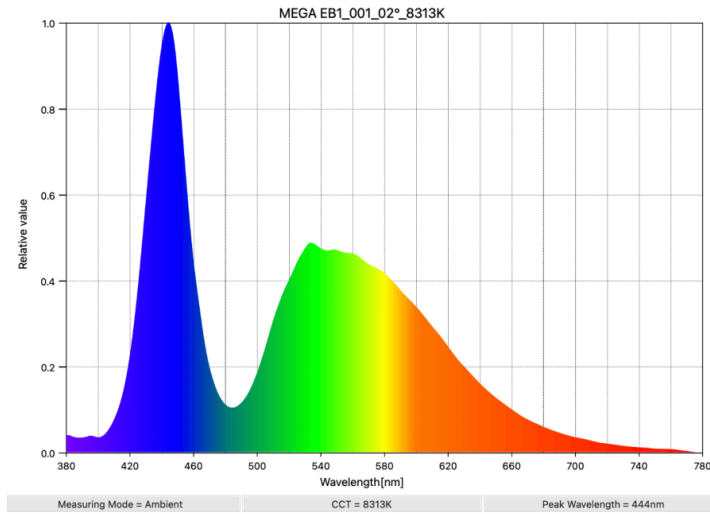


PHOTOMETRICS:

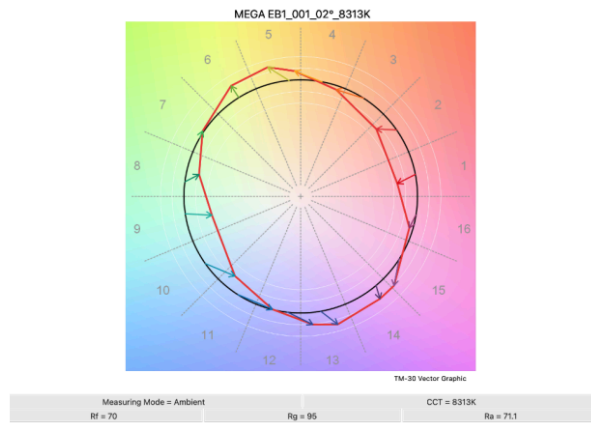
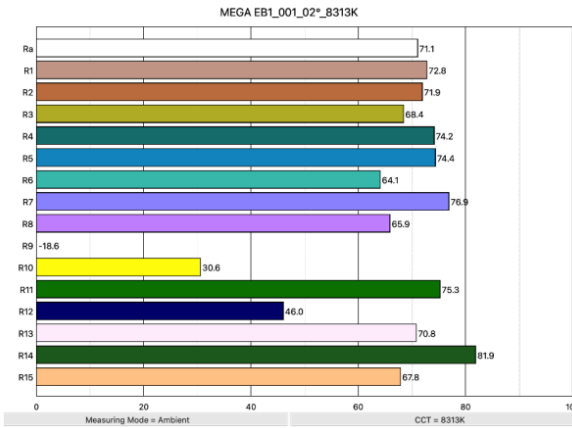
Lumens @ Full Output: 3963
Efficacy: 18 lm/W

SPECTRUM:

Peak Wavelength: 444nm



COLOR RENDERING:



NOMINAL BEAM ANGLE= 1°

Distance	Illuminance at Center	Beam Diameter
5'	177504 fc	0.1'
10'	44376 fc	0.2'
15'	19723 fc	0.3'
20'	11094 fc	0.4'

NOMINAL BEAM ANGLE= 1°

Distance	Illuminance at Center	Beam Diameter
2m	1109400 lux	0.0m
4m	277350 lux	0.1m
6m	123267 lux	0.1m
8m	69338 lux	0.2m